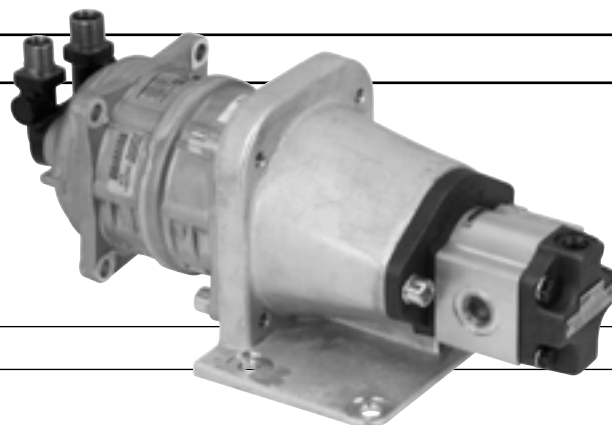


# R-9976

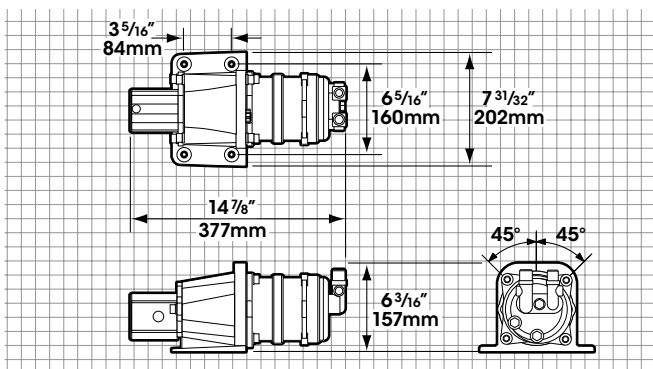
## Hydraulic Axial Direct Drive

### CONSTRUCTION • MINING • AGRICULTURE

The R-9976 direct-drive hydraulic compressor uses no belts or clutch and minimizes A/C hose length—ideal for cranes, articulated equipment, and other applications where the cab and engine are far apart. Available in displacements of 5 and 9.3 cubic inches. Compressor speed control is possible on this unit with a separate hydraulic device supplied by the installer.



	GPM	Minimum PSI	Maximum PSI	Compressor Displacement
R-9976-3P	3.0–6.3	1,800	3,988	9.3 cu.in.



Clock mounting for compressor limited to 45°. Attitude: compressor limited to 10° variance from level, upright, horizontal position.

**WARNING:** Red Dot takes no responsibility for modifications to the vehicle's hydraulic system. All hydraulic system modifications must be done by a certified technician.

### HYDRAULIC CONTROL VALVE

For use with R-9976-3  
Maximum flow is 15 GPM at 3,500 PSIG (241 Bar at 57 L/min)

**72R9904** RD-5-11209-0P

Electrically piloted hydraulic control valve (normally open)  
24volt



**72R9912** RD-5-11210-0P

Used to convert 72R9004 (left) to 12 volts



The 72R9904 control valve incorporates the on/off function with a priority flow control which can handle an inlet flow up to 15 gpm.

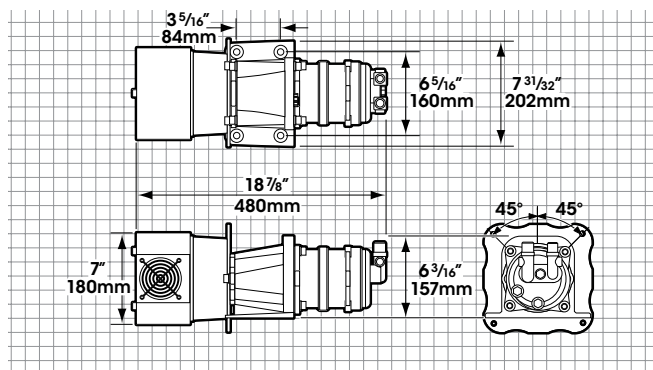
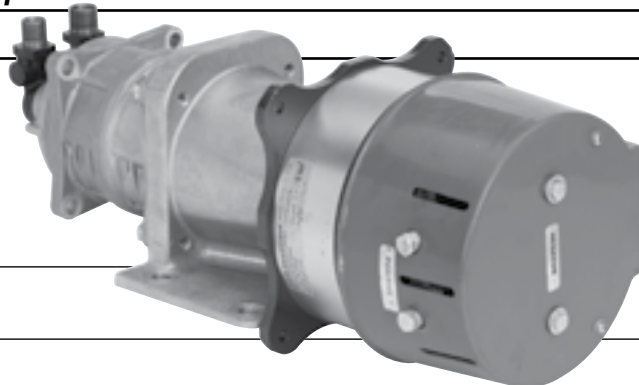
# R-9978

## Battery-Powered Electric-Motor-Driven Compressor

### TRUCKS • VANS • UTILITY VEHICLES

The R-9978 is a quiet, efficient electric-motor-driven compressor for 12V or 24V electrical A/C systems ranging from 17,000 to 30,000 BTU. The low-voltage, brushless motor operates directly from a battery pack and is ideal for systems where a traditional belt-driven or hydraulic compressor is not an option. Amp draw: 75-120 amps. Compressor speed ranges from 700 to 6,000 RPM.

	Volts	Weight	Horsepower	RPM
R-9978-0P	12 VDC	30 lbs (13.6 kg)	4.0	2,000
R-9978-0-24P	24VDC	30 lbs (13.6 kg)	8.0	4,000



**WIRING NOTE:** Use proper size battery cable for Amp draw to main power lugs. Initial hook-up of +/- cables may cause a spark due to charging capacitors.  
Amp Draw: 75 to 150 amps  
24 VDC has 24 VDC cooling fan

# Pressurizer & Remote Mount Filters

## Booster Blower

AGRICULTURAL · MINING · INDUSTRIAL

Attaching directly to the 78R5100 and 78R5110 remote mount filters (shown below) the Booster Blower forces dust free air into the cab through our heater and air conditioner units.

### PRESSURIZER SPECIFICATIONS

<b>AIR FLOW</b>	140 CFM (238m3/h) with filter; 230 CFM (391m3/h) free flow
<b>WEIGHT</b>	7 lbs. (3 kg)
<b>MOTOR/FAN</b>	One 12 VDC, single speed (24 VDC available)
<b>CURRENT DRAW</b>	10.2 amps @ 13.6 VDC 6 amps @ 27.2 VDC
<b>DIMENSIONS</b>	4" inlet 3" outlet
<b>UNITS</b>	73R9202 (12 VDC) 73R9204 (24 VDC)

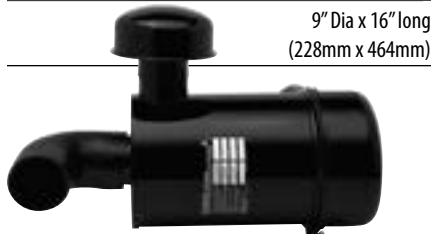


## Remote Mount Filters

The integration of Red Dot's Remote Mount Filters with the Booster Blower guarantees your dust-free working environment.

### BACKPACK MOUNT

**78R5000**



#### REPLACEMENT PARTS

Filter Model	78R5000
Filter	78R5200
Hood	RD-5-4288-0P
Band	RD-5-4289-0P
Rubber Elbow	78R5500

### HORIZONTAL MOUNT

**78R5100**

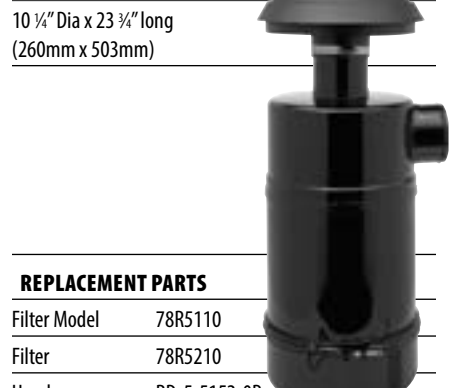


#### REPLACEMENT PARTS

Filter Model	78R5100
Filter	78R5210
Hood	RD-5-5151-0P
Band	RD-5-5150-0P

### VERTICAL MOUNT

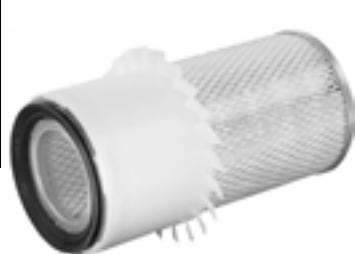
**78R5110**



#### REPLACEMENT PARTS

Filter Model	78R5110
Filter	78R5210
Hood	RD-5-5152-0P
Band	RD-5-5150-0P

\* Cab pressure and protection level may vary with individual cab integrity



**Intake Replacement Filter**  
78R5200



**Fresh Air Intake Replacement Filter**  
78R5210



**Air Outlet Adapter For Pressurization**  
72R4531

# Off-Road Evaporator Kits All 134a Compatible

When ordering kits it is recommended that you order both the condenser and the compressor mount kit. **DROP SHIP ONLY** Allow four weeks lead time

## Caterpillar

Model Name	Model Number	Engine	Kit Number	Evaporator	Condenser	Condenser Mount Kit	Compressor	Compressor Mount Kit
Dozer	953	3204	R-17002-5P	Included	Included	Included	Included	Included
Dozer	D4C	3204	R-17002-2P	Included	Included	Included	Included	Included
Dozer	D4h	3204	R-17002-3P	Included	Included	Included	Included	Included
Dozer	D5	3306	R-17002-4P	Included	Included	Included	Included	Included
Excavator	312		R-17003-0P	Included	Included	Included	Included	Included
Excavator	325	3116	R-17003-1P	Included	Included	Included	Included	Included
Excavator	330 / 350		R-17003-2P	Included	Included	Included	Included	Included
Grader	120H	3116	R-17002-0P	Included	Included	Included	Included	Included
Grader	140H	3306	R-17002-1P	Included	Included	Included	Included	Included
Haul Truck	768C, 769C, 772B, 773B	3408 / 3412	R-10235-4P	Included	Included	Included	Included	Included
Scraper	627B	3306	R-17004-0P	Included	Included	Included	Included	Included
Wheel Loader	IT28G / 928G	3116, 3126	R-10047-0P	Included	Included	Included	Included	Included
Wheel Loader	980C / 966D	3406	R-10044-3P	Included	Included	Included	Included	Included

## Hitachi

Model Name	Model Number	Engine	Kit Number	Evaporator	Condenser	Condenser Mount Kit	Compressor	Compressor Mount Kit
Excavator	EX200		R-17000-0P	Included	Included	Included	Included	Included
Excavator	EX300		R-17000-1P	Included	Included	Included	Included	Included
Excavator	EX400		R-17000-2P	Included	Included	Included	Included	Included
Excavator	EX400-1		R-17000-3P	Included	Included	Included	Included	Included

## John Deere

Model Name	Model Number	Engine	Kit Number	Evaporator	Condenser	Condenser Mount Kit	Compressor	Compressor Mount Kit
Excavator	490E-LC	4045T	R-10035-5P ++	Included	Included	RD-4-4705-0P	Included	75R9715
Excavator	690E-LC	6068T / 6414T	R-10035-5P* ++	Included	Included	RD-11-0126-0P	Included	75R9710
Excavator	790E-LC	6068T / 6414T	R-10035-5P ++	Included	Included	RD-11-0127-0P	Included	75R9710
Excavator	892E-LC	6076	R-10035-5P ++	Included	Included	RD-11-0128-0P	Included	75R9575
Excavator	992E-LC	6101T	R-10035-5P ++	Included	Included	RD-11-0128-0P	Included	75R9805
Wheel Loaders	544H	6068T	R-10060-4P +	Included	Included		Included	75R9405
Wheel Loaders	624H	6068T	R-10060-4P +	Included	Included		Included	75R9410

## Komatsu

Model Name	Model Number	Engine	Kit Number	Evaporator	Condenser	Condenser Mount Kit	Compressor	Compressor Mount Kit
Loader	WA180		R-17001-0P	Included	Included	Included	Included	Included
Loader	WA320-1		R-17001-1P	Included	Included	Included	Included	Included
Loader	WA380		R-17001-2P	Included	Included	Included	Included	Included
Loader	WA450		R-17001-3P	Included	Included	Included	Included	Included

\* Beginning with Serial Number 559603. J.D. Pulley part # R123413 must be ordered to complete installation

+ Must order John deere Pulley # 123413 to complete installation

++ John Deere "Allied Approved" kit