

**ON-ROAD**

# R-2000 Headliner

## Air Conditioner Unit

TRUCKS • REFUSE • VANS • RV

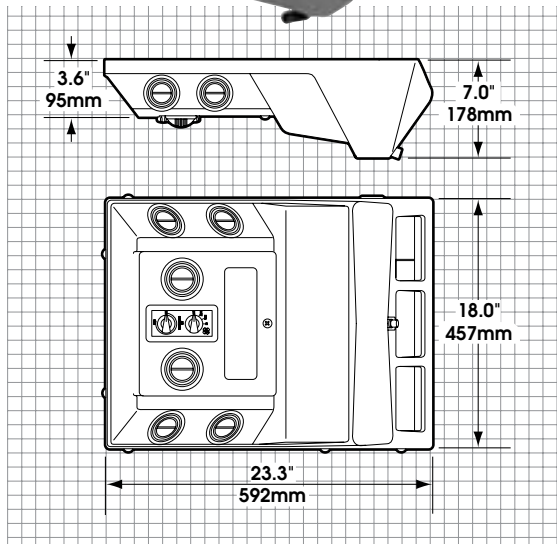
With a low profile and small footprint, the R-2000 can be mounted in virtually any cab and oriented in whatever direction suits your space. The R-2000 is also an effective auxiliary cooling unit in vans, motor homes, and small delivery vehicles.



HEATER-A/C

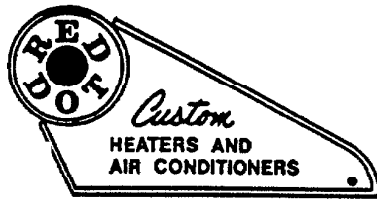
**R-2000 SPECIFICATIONS**

<b>BTUs</b>	Cooling – 17,000 BTU/Hr @ 36°F (5 kW @ 2.2°C) refrigerant temperature and 80°F (26.7°C) wet bulb entering air
<b>AIR FLOW</b>	235 CFM (400 m³/h)
<b>WEIGHT</b>	24 lbs. (11 kg)
<b>CURRENT DRAW</b>	18.5 amps @ 13.6 VDC (includes 4 amps for A/C clutch) 9.3 amps @ 27.2 VDC (includes 2 amps for A/C clutch)
<b>CONTROLS</b>	Three-speed fan, adjustable thermostat



**R-2000 SYSTEM ORDERING GUIDE**

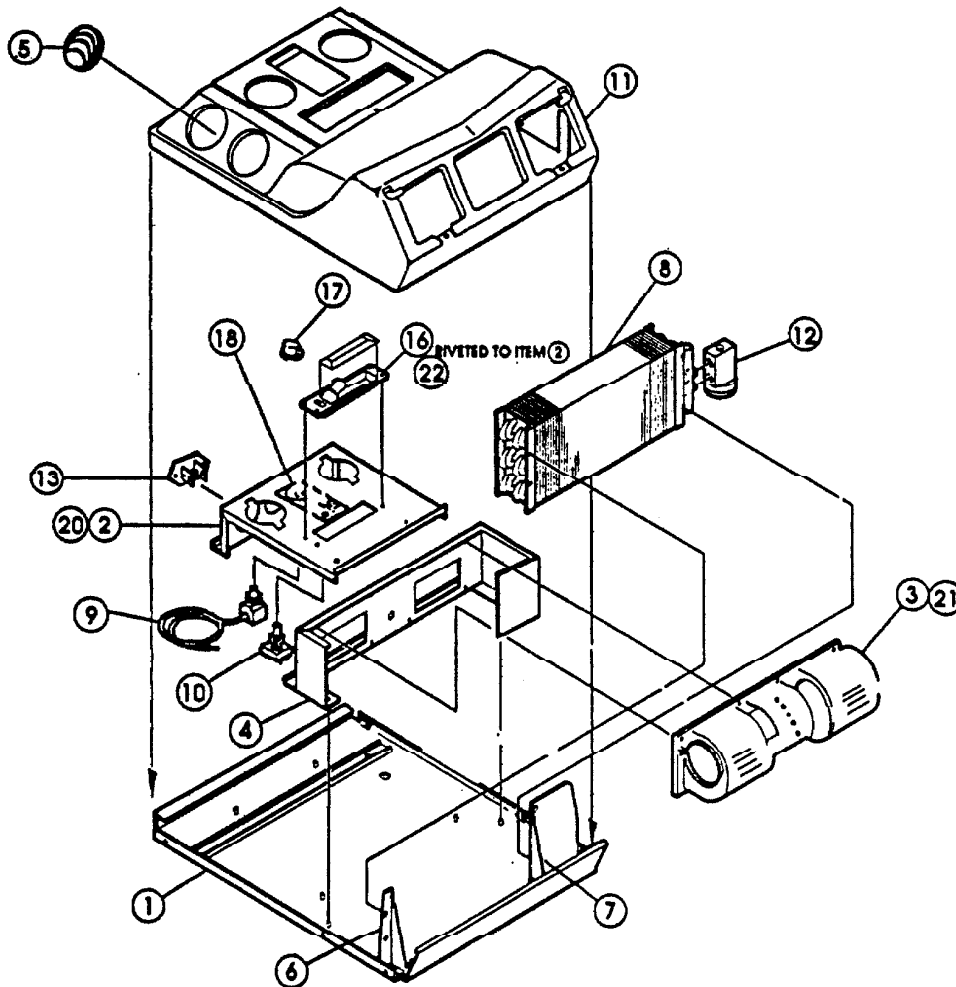
	R12/R-134a	NOTES
<b>UNITS</b>	R-2000-11P R-2000-11-24P	12 VDC 24 VDC
<b>CONDENSER</b>	R-6160 - Roof Mount 77R0650 / RD-4-3724-0P - Universal	
<b>INSTALLATION KIT</b>	78R1070 78R1077 78R1027 78R1025	Rooftop condenser ATCO version Rooftop condenser EZ Clip version Front mount condenser EZ Clip version Front mount condenser ATCO version
<b>COMPRESSOR</b>	See 75 Series Compressor section	
<b>R134A CHARGE FITTING</b>	75R5681 and 75R5688	Required with CCI and Tecumseh applications.
<b>CLUTCH TECUMSEH/CCI</b>	See 75 Series Clutch section	
<b>COMPRESSOR MOUNT KIT</b>	See Compressor Mount Applications section	



# Model R-2000-6 Series

## SERVICE PARTS LIST

### SERVICE PARTS LIST



ITEM	NOTE	PART NO.	DESCRIPTION	CAT. NO.	ITEM	NOTE	PART NO.	DESCRIPTION	CAT. NO.
1		RD-2-2994-1	BASE PLATE ASSY		12		RD-5-6868-0	EXPANSION VALVE	71R 8300
2		RD-2-2997-1	CONTROL PANEL ASSY (12V)		13		RD-5-3647-0	RESISTOR	71R 1450
3		RD-5-8526-0	MOTOR/BLOWER ASSY (12V)	73R 5512	14	A	RD-2-3135-0	WIRE HARNESS ASSY	
4		RD-2-3005-0	MOTOR MOUNT ASSY		15	A	RD-2-1017-0	FOAM - EVAPORATOR	
5		RD-5-8436-0	LOUVER	72R 3120	16		RD-5-8535-0	DOME LIGHT ASSY	71R 1262
6		RD-2-0986-1	RETAINER - BTM HDR		17		RD-5-5928-0	KNOB (2)	71R 4040
7		RD-2-3003-1	RETAINER - TOP HDR		18		RD-2-0851-1	LABEL	
8		RD-2-0993-1	EVAPORATOR ASSY	76R 5200	20	B	RD-2-2997-2	CONTROL PANEL ASSY (24V)	
9		RD-5-4531-24	THERMOSTAT	71R 3200	21	B	RD-5-8526-1	MOTOR/BLOWER ASSY (24V)	
10		RD-5-3646-0	SWITCH - 3 SPD FAN	71R 1150	22	B	RD-5-5037-0	LIGHT BULB - 24 VOLT	73R 5514
11		RD-2-3006-0	COVER ASSY						

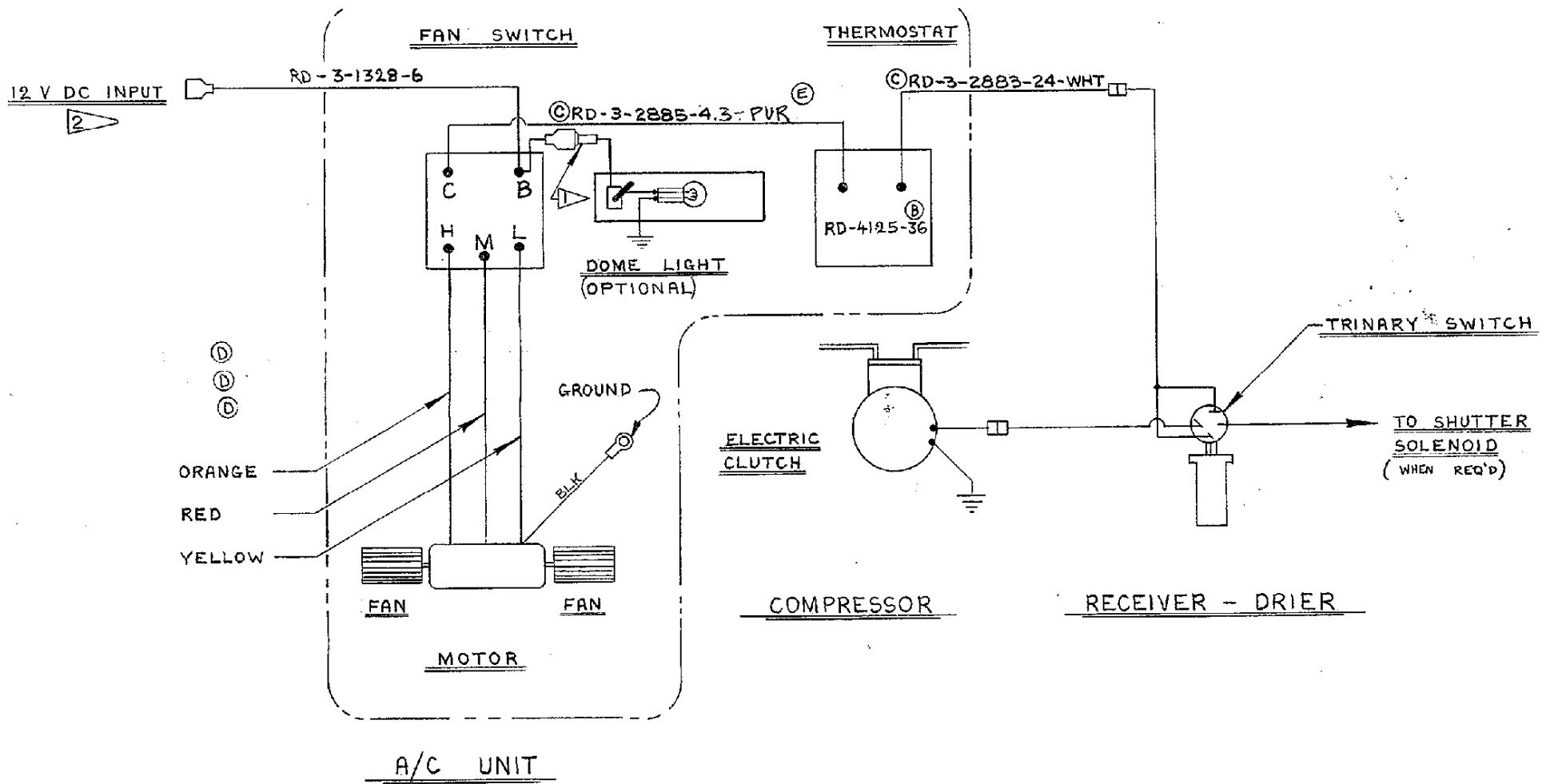
A. NOT SHOWN B. 24 VOLT SYSTEM ONLY

RED DOT CORPORATION P.O. Box 88790 Seattle, WA 98138 (425) 251-6897 FAX (425) 251-3934

RD-2-3138-0 (REV B)

NOTE: FOR REFERENCE ONLY. SUBJECT TO CHANGE WITHOUT NOTICE.

5/97



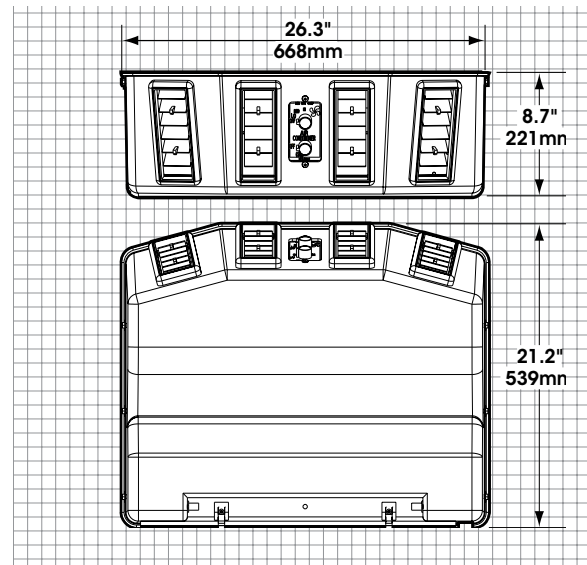
**ON-ROAD**

# R-9715 Headliner

## Air Conditioner

**VAN • BUS • FIRE/RESCUE**

The highest-capacity headliner A/C unit we make, the R-9715 is ideal for big interiors where appearance is important, including shuttle vehicles, buses, and fire trucks. An electric water pump can be used with tilt cabs or extremely humid conditions.



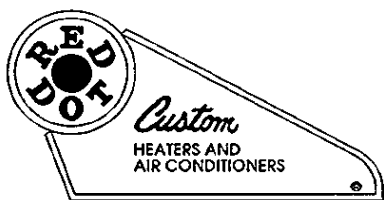
**R-9715 SPECIFICATIONS**

<b>BTUs</b>	Cooling – 39,500 BTU/Hr with 36°F (11.6 kW with 2.2°C) refrigerant temperature and 80°F (26.7°C) wet bulb entering air
<b>AIR FLOW</b>	577 CFM (980 m <sup>3</sup> /h)
<b>WEIGHT</b>	40 lbs. (18 Kg)
<b>CURRENT DRAW</b>	26.3 amps @ 13.6 VDC (includes 4 amps for A/C clutch) 13.2 amps @ 27.2 VDC (includes 2 amps for A/C clutch)

**R-9715 SYSTEM ORDERING GUIDE**

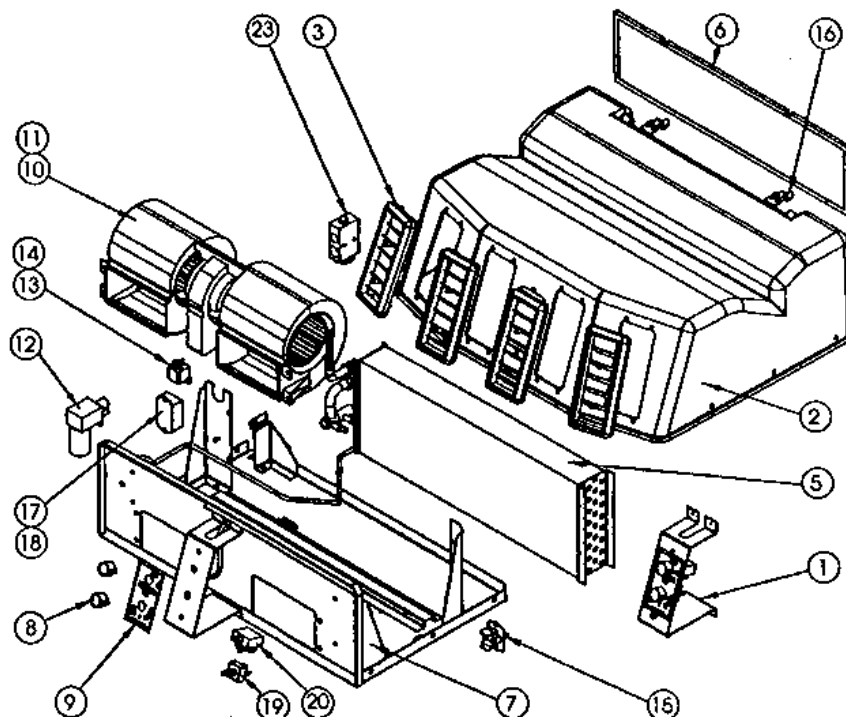
	<b>R12/R-134a</b>	<b>NOTES</b>
<b>UNITS</b>	R-9715-11P R-9715-11-24P	12 VDC - replaces R-9715-10P 24 VDC - replaces R-9715-10-24P
<b>CONDENSER</b>	R-4500-8P Remote Mount R-4500-8-24P Remote Mount	12 VDC 24 VDC
<b>INSTALLATION KIT</b>	78R1070 78R1077 78R1027 78R1025	Rooftop condenser ATCO version Rooftop condenser EZ Clip version Front mount condenser EZ Clip version Front mount condenser ATCO version
<b>COMPRESSOR</b>	See 75 Series Compressor section	
<b>R134A CHARGE FITTING</b>	75R5681 and 75R5688	Required with CCI and Tecumseh applications.
<b>CLUTCH TECUMSEH/CCI</b>	See 75 Series Clutch section	
<b>COMPRESSOR MOUNT KIT</b>	See Compressor Mount Applications section	
<b>DUAL PUMP KIT</b>	RD-2-3825-0P	

HEATER-A/C



# Ceiling Mount Evaporator R-9715

## Service Parts List



ITEM	NOTE	PART NO.	DESCRIPTION	CAT. NO	ITEM	NOTE	PART NO.	DESCRIPTION	CAT. NO
1	A, B	RD-2-2926-2	CONTROL PANEL ASSY.		14		RD-5-4417-0	RELAY 24 VOLT	71R1704
2	A	RD-5-8421-1	COVER, PLASTIC		15		RD-5-3647-0	RESISTOR	71R1450
3		RD-4340-0	DIFFUSER	72R2300	16		RD-5-5940-0	SNAP FASTENER	
4	C	RD-5-3550-84	DRAIN HOSE (7 FEET)		17	A, B	RD-5-8425-1	SWITCH ASSY. 12V.	
5		RD-2-2928-0	EVAPORATOR ASSY.		18	A, B	RD-5-8425-3	SWITCH ASSY. 24V.	
6		RD-1-0860-0	FILTER		19		RD-5-3646-0	SWITCH 3SPEED	71R1150
7		RD-2-2933-	HOUSING ASSY.		20		RD-4125-36	THERMOSTAT	71R2250
8		RD-5-5928-0	KNOB	71R4040	21	B, C	RD-2-2944-0	WIRE HARNESS, PUMPKIT	
9		RD-2-0851-1	LABEL		22	B, C	RD-2-2944-1	WIRE HARNESS, PUMPKIT	71R8320
10		RD-3-6770-0	MOTOR / BLOWER ASSY.		23		RD-5-7015-0	VALVE EXPANSION R-134A	
11		RD-3-6770-24	MOTOR / BLOWER 24 V.		24	B, C	RD-2-2940-0	WIRE HARNESS, UNIT 12V.	
12		RD-5-8424-0	PUMP-CONDENSATE		25	B, C	RD-2-2940-1	WIRE HARNESS, UNIT 24V.	
13		RD-5-4408-0	RELAY 12VOLT	71R1702					

A. INCLUDES: ALL ATTACHED COMPONENTS  
 B. INCLUDES ALL ELECTRIC SUB COMPONENTS  
 C. NOT SHOWN

Red Dot Corporation PO Box 88790, Seattle, WA 98138 (425) 251-6897 Fax (425) 251-3934

**OFF-ROAD**

# R-9750 Headliner

*Air Conditioner with Heat Option*

**CONSTRUCTION • MINING • AGRICULTURE**

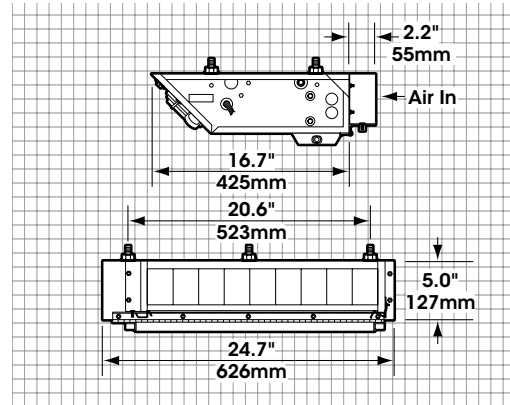


The R-9750 is the ideal headliner A/C unit for off-highway equipment cabs. It quickly produces 240 CFM of airflow, filters recirculating cab air, and its heater option delivers year-round comfort. Four multidirectional louvers deliver the air where you need it. Options include an outside air adapter, remote-mount filter, and in-line booster blower for a pressurized, dust-free cab.

HEATER-A/C

**R-9750 SPECIFICATIONS**

<b>BTUs</b>	Cooling – 17,000 BTU/Hr with 36°F (5 kW with 2.2°C) refrigerant temperature and 80°F (26.7°C) wet bulb entering air Heating – 25,600 BTU/Hr @ 100°F (7.5 kW @ 37.8°C) air temperature rise
<b>AIR FLOW</b>	240 CFM (408 m³/h)
<b>WEIGHT</b>	44 lbs. (20 kg)
<b>CURRENT DRAW</b>	13 amps @ 13.6 VDC (includes 4 amps for A/C clutch) 6.5 amps @ 27.2 VDC (includes 2 amps for A/C clutch)



**OPTIONS:**



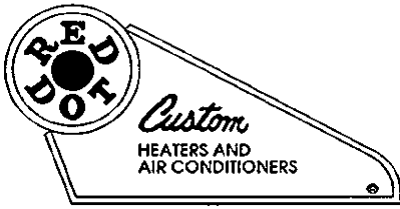
**Outside Air Adapter (optional)**  
RD-3-4784-0P (installed on back of unit)  
**Heater Conversion Kit**  
RD-5-5982-1P (not shown)

**Remote Mount Filter Kits**  
See Filters & Pressurizers section  
**In-line Booster Pressurizers**  
See Filters & Pressurizers section

**R-9750 SYSTEM ORDERING GUIDE**

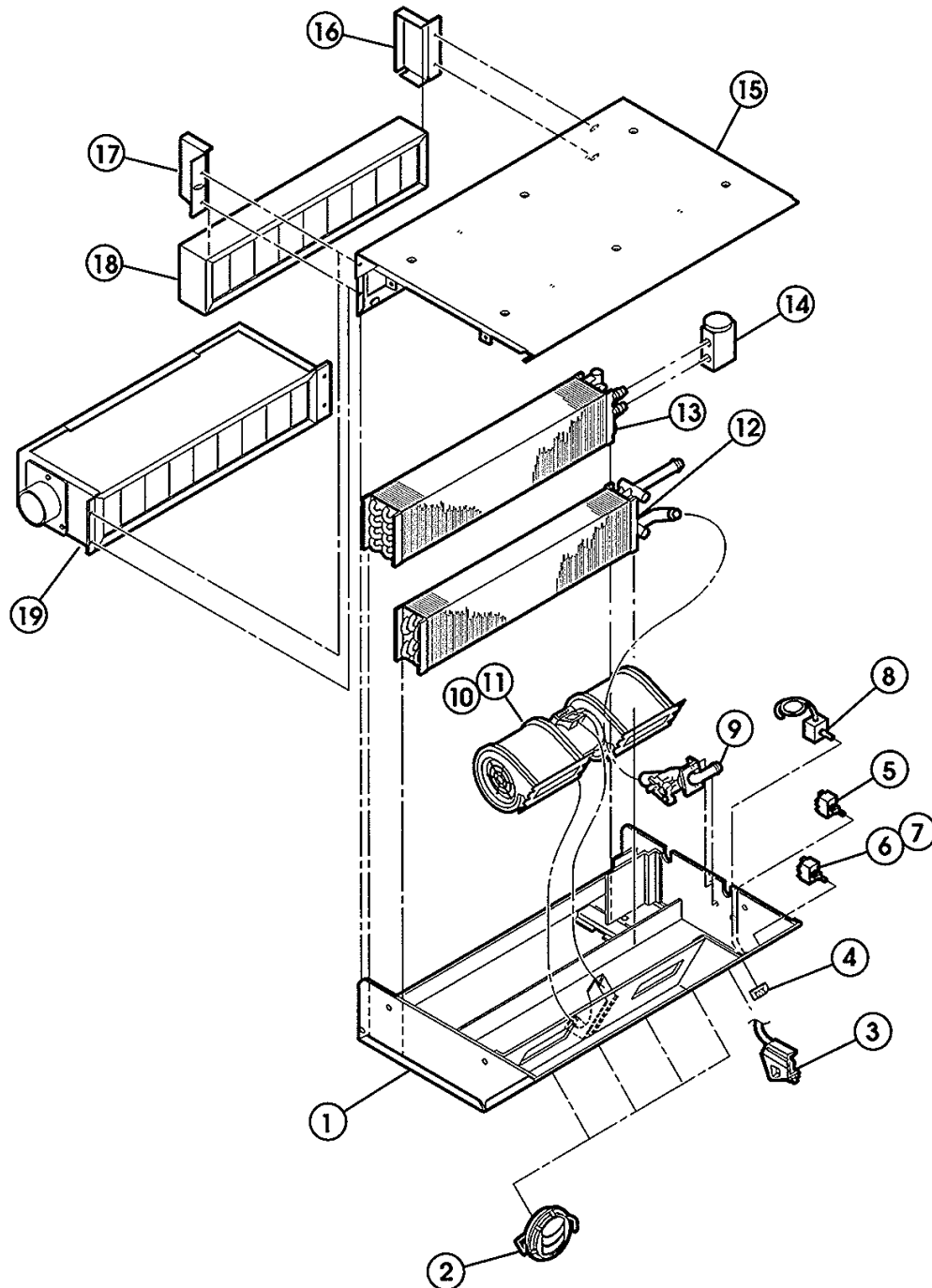
<b>UNITS</b>	R-9750-9P R-9750-9-24P R-9750-10P R-9750-10-24P	12 VDC – Heater - A/C 24 VDC – Heater - A/C 12 VDC – A/C Only 24 VDC – A/C Only
<b>CONDENSER</b>	Radiator Mount Remote Mount	See 77 Series Condensers section See Units Condensers section
<b>INSTALLATION KIT</b>	78R1705 78R1077	Refrigerant hose, fittings and hardware Rooftop condenser EZ Clip version
<b>COMPRESSOR</b>	See 75 Series Compressor section	
<b>R134A CHARGE FITTING</b>	75R5681 and 75R5688	Required with CCI and Tecumseh applications
<b>CLUTCH TECUMSEH/CCI</b>	See 75 Series Clutch section	
<b>COMPRESSOR MOUNT KIT</b>	See Compressor Mount Applications section	
<b>OPTIONS</b>	Outside Air Adapter Remote Mount Filters Replacement Recirc. Filter In-Line Booster Pressurizers * Heat Conversion Kit Metal Converter Controls Cable	RD-3-4784-0P See Filters & Pressurizers section 78R5310 See Filters & Pressurizers section RD-5-5982-1P RD-5-7999-1P RD-5-5505-33P
* Booster Pressurizer Can Only Be Used With Remote Mount Filters		

LS = Limited to stock on hand



# Red Dot Air Conditioner With Heater Option R-9750 Series

## SERVICE PARTS LIST



ITEM	NOTE	PART NO.	DESCRIPTION	CAT. NO	ITEM	NOTE	PART NO.	DESCRIPTION	CAT. NO.
1		RD-3-4684-0	BOTTOM HOUSING ASSY		11	B	RD-5-8838-0	BLWR MOTOR ASSY (24V)	73R5534
2		RD-5-8436-0	LOUVER (4)	72R3120	12	D	RD-1-0726-0	HEATER CORE ASSY	76R1000
3	F	RD-5-9022-32	CNVRTR-CABLE CTRL	72R7600	13		RD-2-1633-0	EVAPORATOR ASSY	76R4900
4		RD-5-8812-0	KNOB-CONTROL, ROTARY		14		RD-5-6868-0	EXPANSION VALVE	71R8300
5		RD-5-0071-0	SWITCH-TOGGLE SPDT	71R0400	15		RD-3-4683-0	COVER ASSY - HOUSING	
6	D	RD-4123-2	SWITCH-TOGGLE DPDT	71R0200	16		RD-3-7794-1	BRKT ASSY - FILTER RIGHT	
7	C	RD-5-3748-0	SWITCH - TOGGLE SPST	71R0010	17		RD-3-7495-1	BRKT ASSY - FILTER LEFT	
8		RD-4125-36	THERMOSTAT	71R2250	18		RD-3-4804-0	FILTER	78R5310
9	D, F	RD-5-B083-0	WATER VALVE ASSY	72R5280	19	E	RD-3-4784-0	FRESH AIR BOX ASSY	
10	A	RD-5-B837-0	BLWR MOTOR ASSY (12V)	73R5532	20	E	RD-5-5982-1	CONVERSION KIT	

- A. 12 Volt System Only B. 24 Volt System Only C. Air Conditioner Only  
D. Purchased Separately as Part of Heater Con. Kit RD-5-S982-0  
E. Optional and Purchased Separately.  
F. R-9750-TP (TIMBCO) Uses RD-5-8193-0 Water Valve & RD-5-9022-6 Cable/Converter

Optional components for addition of Heater and/or Pressurization options:

1. Fresh Air Box Assy (for Cab Pressurization) RD-3-4784-0
2. Heater Conversion Kit RD-5-5982-0
  - \* 3. 12 Volt Pressurizer 73R9202
  - \* 4. 24 Volt Pressurizer 73R9204
5. Horizontal Air Filter 78R5100
6. Vertical Air Filter 78R5110

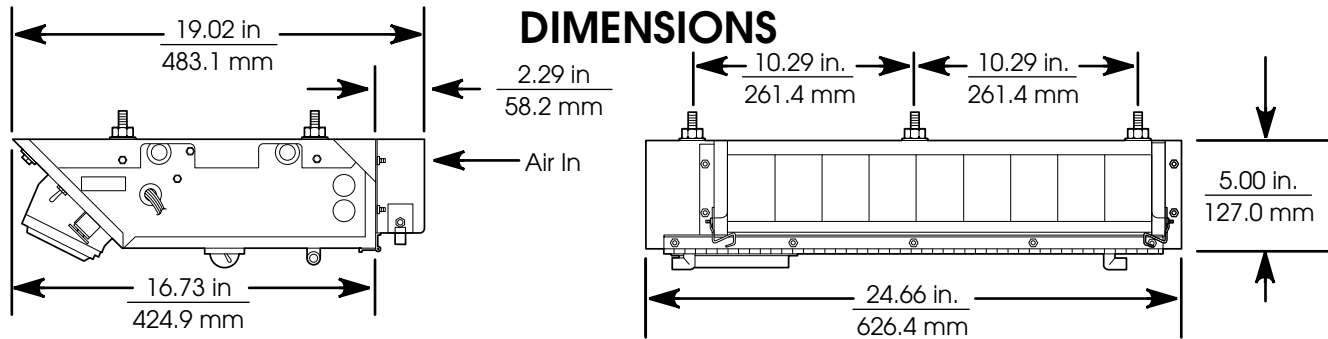
\* Used with 78R5100 or 78R5110 Air Filters.





# Red Dot Air Conditioner With Heater Option R-9750 Series

## TECHNICAL SALES BULLETIN AND SERVICE PARTS LIST



## SPECIFICATIONS

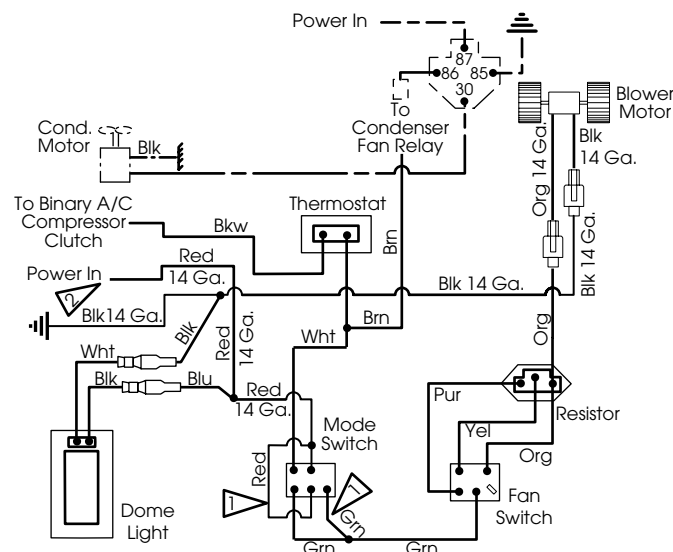
**BTU's Per Hour:** Cooling- 17,000 Btu/Hr (4.98 K.W./Hr.) @ 80°F. (26.7°C) Wet Bulb and 36°F. (2.20°C) Refrigerant Temp.  
 Heating- 25,600 BTU/Hr (7.50 K.W./Hr.) @ 100° F. (37.8°C)

**Air Flow:** 240 C.F.M. (6.80 M<sup>3</sup>/MIN)

**Current Draw:** 13 Amps @ 13.6 Volts (Includes 4 Amps for A/C Clutch)  
 6.5 Amps @ 27.20 Volts (Includes 2 Amps for A/C Clutch)

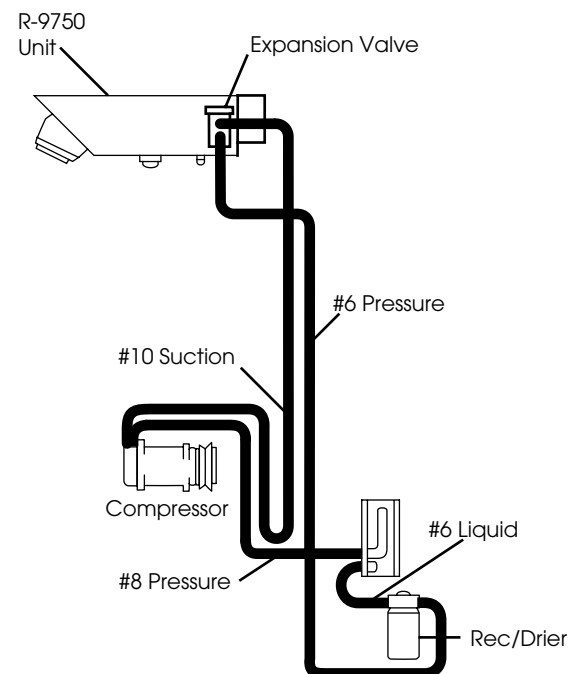
## SCHEMATICS

### ELECTRICAL SCHEMATIC



- 1 Not Used A/C Only
- 2 Use 15 Amp Fuse or Breaker for 24V System (Cust. Supplied)  
Use 30 Amp Fuse or Breaker for 12V System (Cust. Supplied)

### PLUMBING SCHEMATIC



Note: All Wires Are 16 Ga Unless Otherwise Specified  
 WARNING: Unit warranty void if fused power source not used.



# Compact Headliner Air Conditioner Model R-9750

## INSTALLATION INSTRUCTIONS

### NOTE:

1. Please read instructions all the way through, making sure you have all the parts and tools.
2. While working on or around a Vehicle disconnect the battery to prevent accidental start-up or electrical shorts.
3. It has been established the R-12 refrigerant does deplete the earth's protective ozone layer. Use care so as not to release this material Into the atmosphere.
4. A/C systems operate under high pressure. At 77°F the refrigerant container will be pressurized to approximately 80 psi. Use caution when working with these materials. Goggles are recommended.
5. To function properly the A/C system must be clean and dry. Keep caps or protective covers on all hoses and fittings until final assembly.
6. **IMPORTANT:** Attach appropriate SAE warning label on vehicle.

### NOTE:

#### 1. Additional items required for complete installation:

- |                                 |  |
|---------------------------------|--|
| A) Compressor                   | 8 to 10 cubic inch displacement are required (Sanden SD-5[]8, SD-510 or equivalent). For HFC-134a use a compressor compatible with R-134a  |
| B) Condenser                    | Remote Mount (R-9720 or equivalent); or Radiator Mount (77R 06,50 or equivalent). For R-134a use R-9725 or 77R 0650  |
| C) Compressor Mount Kit         | This includes mounting hardware, belts and pulleys (if needed).  |
| D) Receiver Drier               | High capacity (12 cubic inches of desiccant) 74R 1706 or equivalent. For R-134a applications use 74R 1806 or equivalent.   |
| E) System Protection Switch(es) | 71R 7000 binary switch, high and low pressure cut-out or equivalent dual switches. For R-134a applications use 71R 7050.   |
| F) Refrigerant Hose             | Nylon Barrier or nylon lined refrigerant hose is recommended minimum quality for heavy duty applications. Push-on fittings can be used on either hose although a "crimp fitting" is recommended. Reusable fittings can be used only with the Aeroquip nylon hose (R-12 applications only). Galaxy hose with crimp fittings are recommended for R-134a. |

#### A. Mounting the Unit

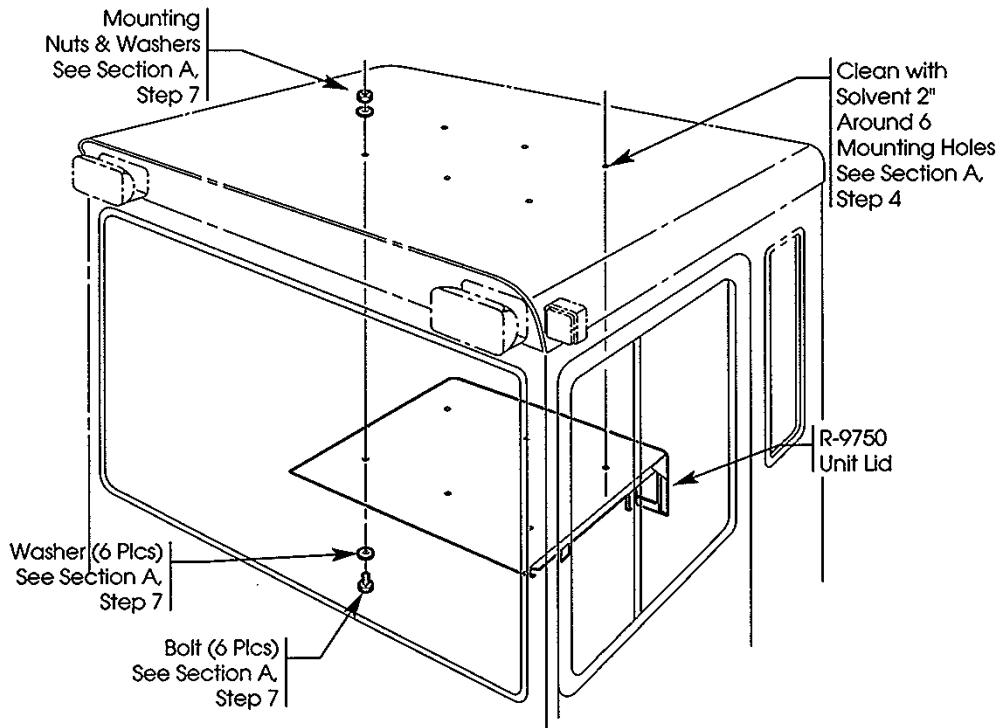
1. Remove the headliner or loosen enough to drop the center portion (Disregard if no headliner).
2. Determine the most suitable location for mounting the air conditioning unit.
  - a. Mark the front-to-rear centerline of the cab on the outside of the cab roof (if centering unit in the cab).
  - b. Unbolt unit lid from main housing and place on the roof using the centerline as a guide.

**NOTE:** For proper water drainage, be sure the rear of the unit is not mounted higher than the front.

3. Mark the mounting hole locations.
4. Drill the mounting holes and remove burrs and sharp edges. Clean 2" around mounting holes with solvent for application of adhesive sealant to waterproof holes. See Figure 1.

**Red Dot Corporation** P.O. Box 88790, Seattle, WA 98138 (425) 251-6897 Fax (425) 251-3934

5. Re-assemble unit lid to main housing unit.
6. Temporarily install the headliner unit inside the cab and determine if roof reinforcing is needed, If so, make and install reinforcing at this time.
7. Mount unit to roof of cab using mounting bolts, nuts and washers. See Figure 1.  
**NOTE:** Apply adhesive sealant to the mounting hole locations before mounting unit. Tighten mounting bolts evenly and caulk with sealant.



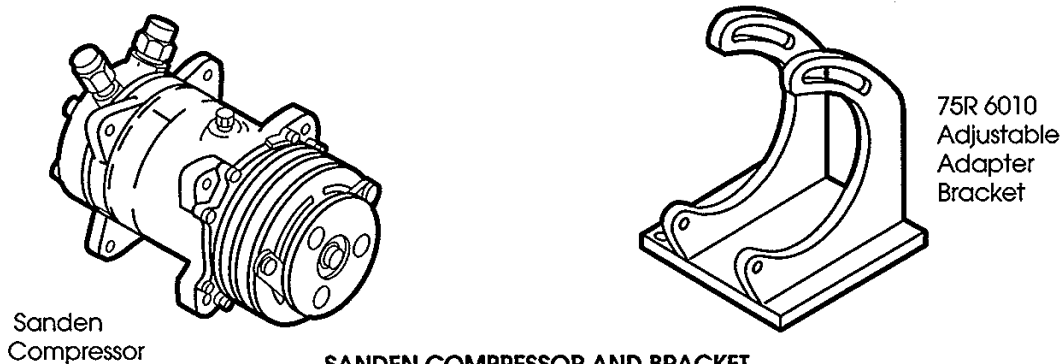
**TYPICAL UNIT PLACEMENT**

**Figure 1**

**B. Compressor Mounting**

1. Install compressor mounting hardware to engine block.

**NOTE:** Red Dot does not recommend any compressor mount designs that are not directly attached to the engine. If fabrication of compressor mounting bracket is required, be sure to design so the belt wrap is a minimum of 1/3 around the clutch pulley and can be tensioned easily. If designing for a Sanden Compressor, Red Dot does provide an adjustable adapter bracket 75R 6010 which often saves time in design and fabrication. See Figure 2.



**SANDEN COMPRESSOR AND BRACKET**

**Figure 2**

2. Install compressor making sure to properly align and tension drive belt.
3. Check compressor refrigerant oil level per compressor manufacturer's instructions.

**C. Condenser Mounting (Remote or Radiator Style)**

**Remote Mount**

1. Locate in an area as far from flying debris as possible so the condenser can be easily serviced when motors need changing or cleaning debris from fins.
2. Mount in a position so that the large (#8) hose fitting is above the small (#6) hose fitting.

**Radiator Mount**

1. A radiator mounted condenser will be effective only if positioned to receive maximum air flow. (Usually flow is greatest toward the outside versus the center of the radiator).
2. Install condenser allowing a minimum of 1.5 inch air space between the condenser and the radiator. Also, all radiators should have baffles on top and sides to prevent hot air recirculating back around the radiator.

**D. Refrigerant Hose Installation**

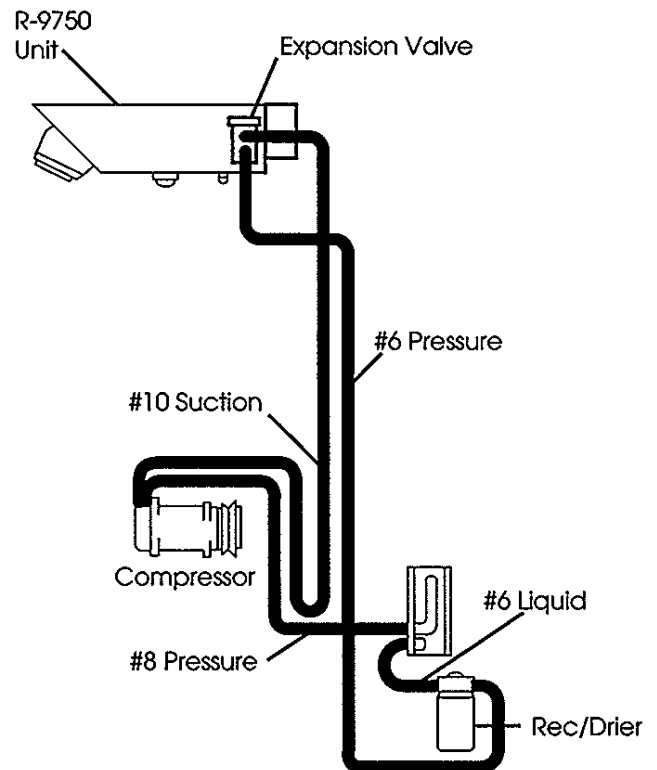
1. Determine desired hose routing and measure hose lengths, per plumbing schematic. See Figure 3.  
NOTE: If suction line #10 hose length is longer than 10 feet, Red Dot recommends using #12 refrigerant hose and "step-up" refrigerant fittings. This will improve system function.
2. Cut refrigerant hose to length using a knife. DO NOT SAW OFF. See Figure 4, Step 1.
3. Install fittings on hose. See Figure 4, Steps 2 and 3. (Be sure to clean out refrigerant hose after cuffing).
4. Add refrigerant oil to A/C components as follows:

2 oz. - Condenser

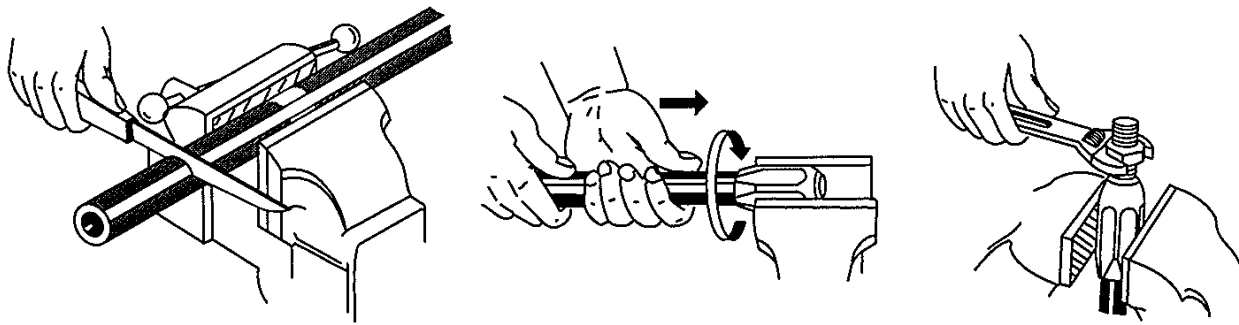
1 oz. - Receiver Drier

1 oz. - Evaporator

If using R-134a refrigerant, be sure to use oil recommended by the compressor manufacturer.



**R-9750 PLUMBING SCHEMATIC**  
**Figure 3**



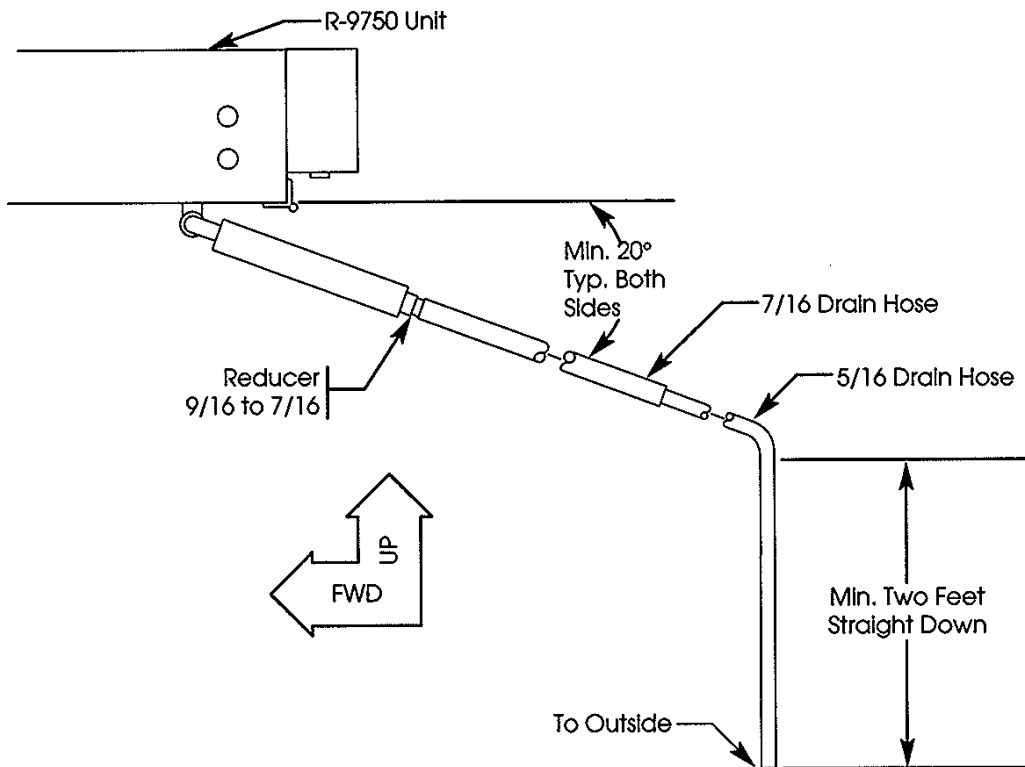
1. Cut hose to proper length.
2. Screw hose into collar (left hand thread) until hose bottoms. Back out 1/4 turn.
3. Screw fittings into collar until insert bottoms. (Lubricate insert and I.D. of hose for ease of assembly).

**REUSABLE FITTING INSTALLATION  
(R-12 Systems Only)  
Figure 4**

5. Lubricate "O" rings with mineral oil and attach to fittings. Route and connect #6, #8 and #10 hoses to unit, compressor, condenser, and receiver drier per plumbing schematic. See Figure 3. (Use appropriate oil for R-12 or R-134a).
6. Use clamps to secure hoses and prevent hose movement. Hoses must not come in contact with hot vehicle components, exhaust manifold, etc., and they should not be subject to mechanical abrasions. NOTE: Insulating the suction line is often required for proper system performance.

**E. Drain Hose Installation**

NOTE: See Figure 5 for additional information on drain hose installation.



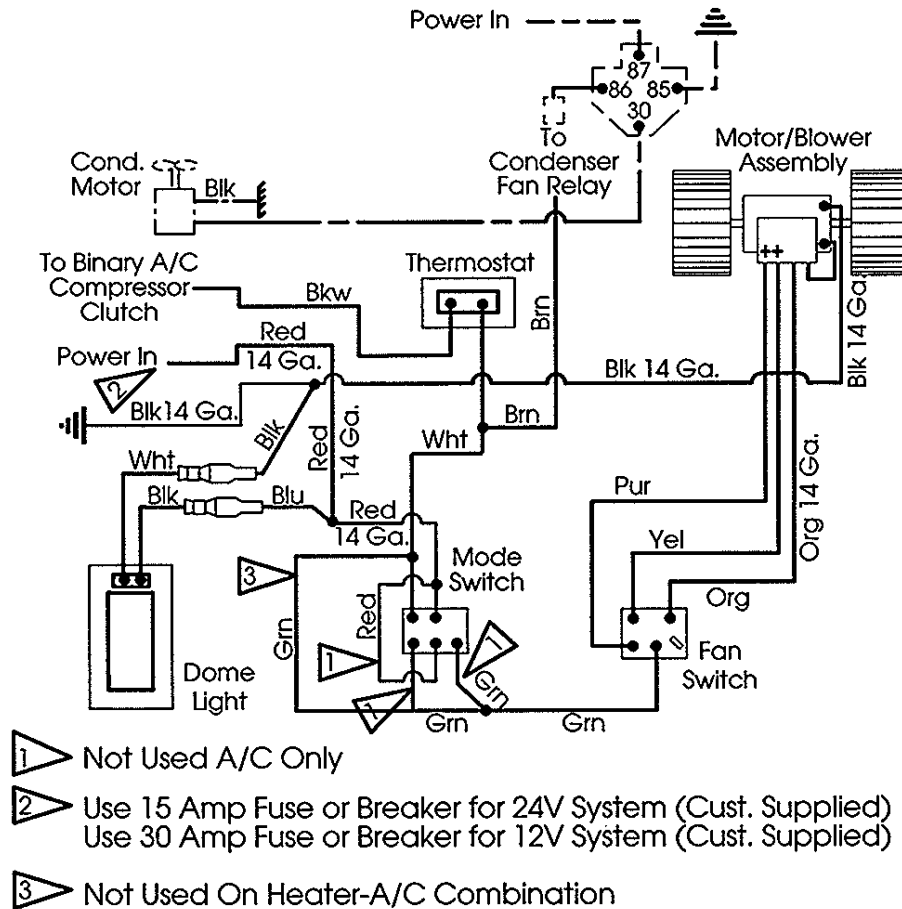
**DRAIN HOSE INSTALLATION  
Figure 5**

1. Attach drain hose assembly to the unit.
2. Route drain hoses out the cab at desired location. Be certain the drain hoses run downhill from the unit at a minimum slope angle of 20°. Also be certain the last two feet point straight down.  
**NOTE:** The drain hose is stepped down in size at two places to promote siphoning water from the drain pan under evaporator. The reduction in diameter forces the water to flow in a solid column. This creates a suction that draws the rest of the water out of the pan, For this effect to work properly, the last two feet of 5/16 O.D. drain tube should point straight down or as close to this as possible.
3. If drain hose assembly is too long remove 7/16 drain hose at reducer; cut to desired length and re-install.
4. Secure drain hoses with tie wraps. Inspect to make sure hoses are not kinked or pinched off.

**F. Unit Wiring**

**NOTE:** See Figure 6 for wiring diagram provided for additional information.

1. Disconnect bakery.
2. Black w/White - Route to low pressure protection switch stripe wire.
3. Red Wire - Connect to an ignition switch supply through a 30 amp circuit breaker for 12 volt system; a 15 amp circuit breaker for 24 volt system.
4. Black Wire - Unit grounding wire.
5. Brown Wire - Route to condenser motor via relay.



Note: All Wires Are 16 Ga Unless Otherwise Specified  
**WARNING:** Unit warranty void if fused power source not used.

**WIRING DIAGRAM**  
**Figure 6**

## G. Final Assembly and Check

### **WARNING**

The owner operator of the R-9750 unit accepts the responsibility for the proper and safe installation and maintenance of the unit. Special attention must be given to the mounting assembly and fasteners as well as the hose assembly and connections to be sure that they are securely fastened and in good condition to preclude the possibility of personal injury.

1. Evacuate the system, then charge with refrigerant and test for leaks.
2. Connect the battery.
3. Turn the ignition switch to the "on" position and place the fan speed switch on the highest position.
4. Place the Heat-A/C switch to the "A/C" position and the temperature control lever on the coldest position.
  - a. The clutch should click on and be engaged.
  - b. The evaporator blower should be turning at high speed.
5. Turn the fan switch to the "off" position and compressor clutch should disengage.
6. Move the Heat-NC switch to the "Heat" position and compressor should disengage.
7. Start engine and run at 1500-2000 rpm. Place the Heat-A/C switch to the "A/C" position and the A/C fan switch to the high speed position. Check sight glass for bubbles. Add 6 to 8 ounces more refrigerant after the sight glass just clears.
8. Make sure clutch cycles off and on as system is operating.

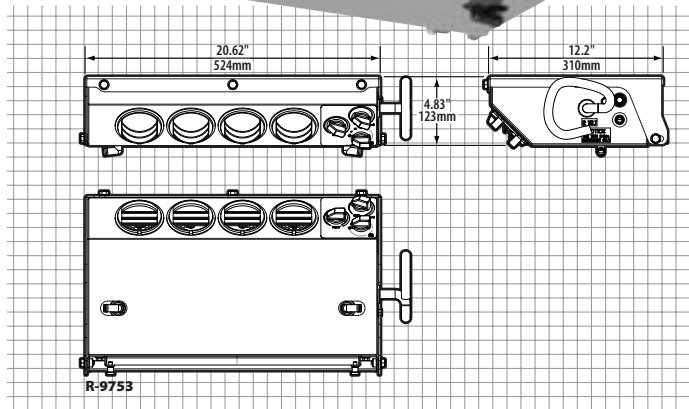
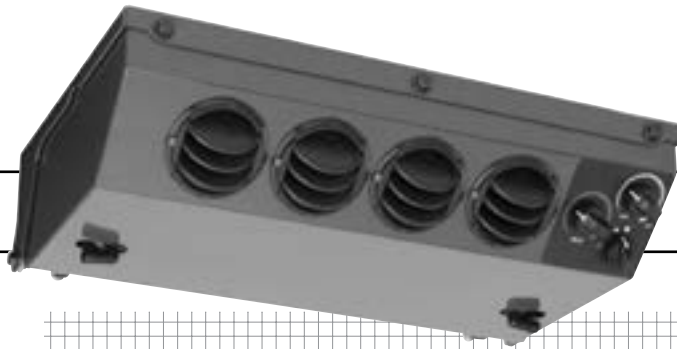
**OFF-ROAD**

# R-9753 Headliner

## Heater/Air Conditioner Unit

**OFF-ROAD • CONSTRUCTION • INDUSTRIAL**

The R-9753 compact headliner air conditioner was designed for hard to air condition cabs. Its compact, low profile, heavy duty construction makes this unit the best in its class for OFF-ROAD applications. With its capacity to filter recirculated air and adaptability to use an outside air adapter, dusty environments are not a problem.



**HEATER-A/C**

**R-9753 SPECIFICATIONS**

<b>BTUs</b>	Cooling - 17,000 BTU/Hr Heating - 20,000 BTU/Hr
<b>AIR FLOW</b>	230 CFM (391 m³/h)
<b>WEIGHT</b>	24 lbs. (11kg)
<b>CURRENT</b>	18 amps at 13.5 VDC
<b>DRAW</b>	9 amps at 27 VDC

**R-9753 SYSTEM ORDERING GUIDE**

<b>UNITS</b>	R-9753-0P R-9753-0-24P R-9753-1P R-9753-1-24P	12 VDC – Heater - A/C 24 VDC – Heater - A/C 12 VDC – A/C Only 24 VDC – A/C Only
<b>CONDENSER</b>	Radiator Mount Remote Mount	See 77 Series Condensers section See Units Condensers section
<b>INSTALLATION KIT</b>	78R1705 78R1077	Refrigerant hose, fittings and hardware Rooftop condenser EZ Clip version
<b>COMPRESSOR</b>	See 75 Series Compressor section	
<b>R134A CHARGE FITTING</b>	75R5681 and 75R5688	Required with CCI and Tecumseh applications
<b>CLUTCH TECUMSEH/CCI</b>	See 75 Series Clutch section	
<b>COMPRESSOR MOUNT KIT</b>	See Compressor Mount Applications section	



**OFF-ROAD**

# R-9755 Headliner

## Air Conditioner Unit

**CONSTRUCTION • MINING • AGRICULTURE • INDUSTRIAL**

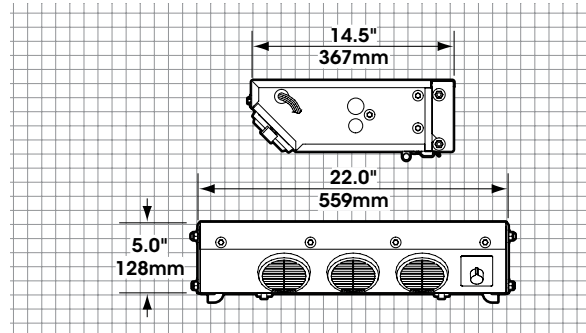
Perfect for compact and hard-to-cool truck and off-highway equipment cabs. The R-9755 produces 240 CFM of airflow, filters recirculating cab air, and is just 14.5 inches front to back. Options include an outside air adapter.



HEATER-A/C

**R-9755 SPECIFICATIONS**

<b>BTUs</b>	Cooling – 17,000 BTU/Hr with 36°F (5 kW with 2.2°C) refrigerant temperature and 80°F (26.7°C) wet bulb entering air
<b>AIR FLOW</b>	240 CFM (408 m³/h)
<b>WEIGHT</b>	32 lbs. (14.5 kg)
<b>CURRENT DRAW</b>	14.1 amps @ 13.6 VDC (includes 4 amps for A/C clutch) 7 amps @ 27.2 VDC (includes 2 amps for A/C clutch)



**OPTIONS:**



**Outside Air Adapter (optional)**  
RD-3-4784-0P with 3" Inlet  
(installed on back of unit)

**Remote Mount Filter Kits**  
See Filters & Pressurizers section

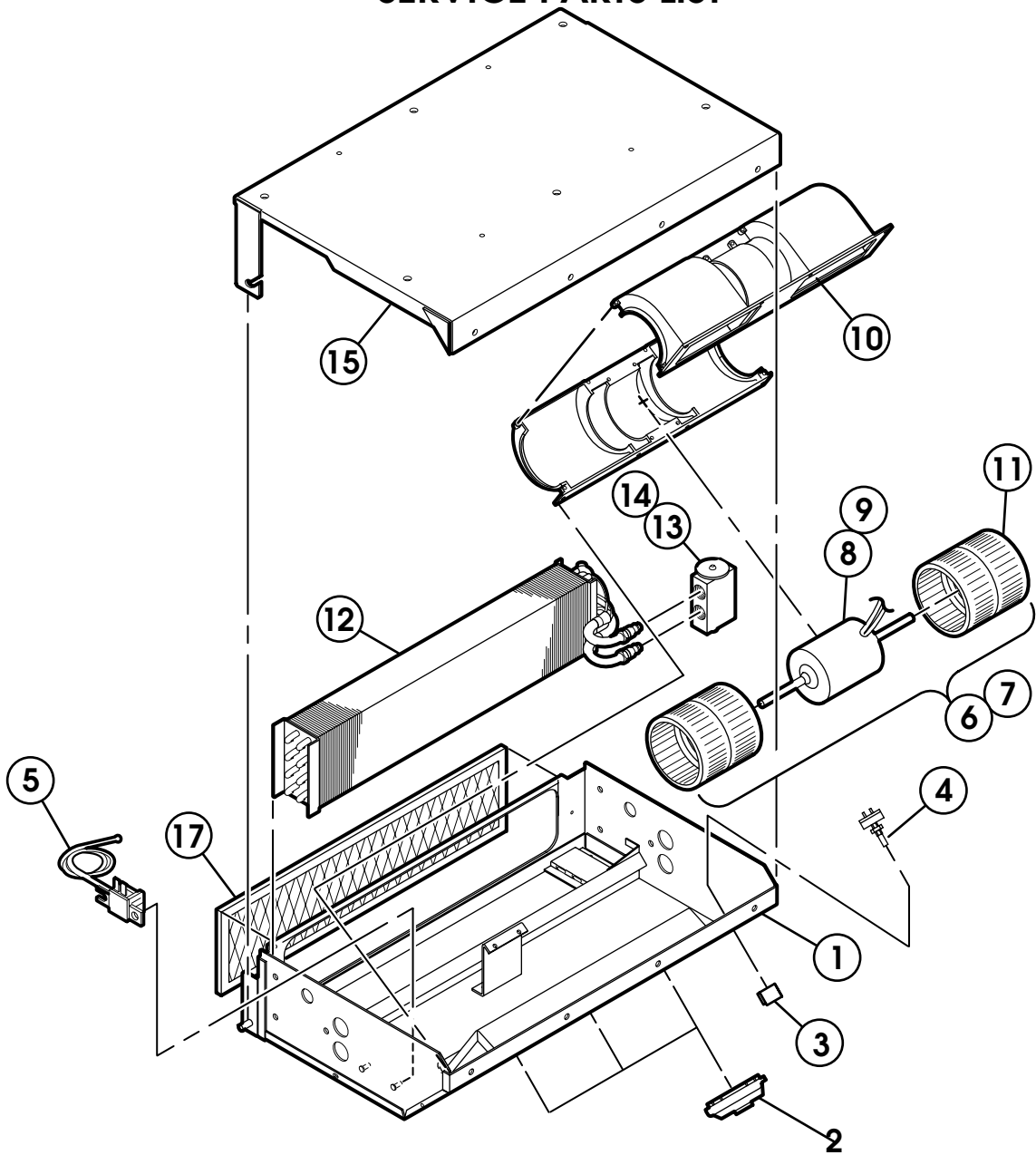
**Inline Booster Pressurizers**  
See Filters & Pressurizers section

**R-9755 SYSTEM ORDERING GUIDE**

	<b>R12/R-134a</b>	<b>NOTES</b>
<b>UNITS</b>	R-9755-0P R-9755-0-24P	12 VDC - A/C only 24 VDC - A/C only
<b>CONDENSER</b>	R-9720 - Remote Mount	
<b>INSTALLATION KIT</b>	78R1705 78R1077	Refrigerant hose, fittings and hardware Rooftop condenser EZ Clip version
<b>COMPRESSOR</b>	See 75 Series Compressor section	
<b>R134A CHARGE FITTING</b>	75R5681 and 75R5688	Required with CCI and Tecumseh applications
<b>CLUTCH TECUMSEH/CCI</b>	See 75 Series Clutch section	
<b>COMPRESSOR MOUNT KIT</b>	See Compressor Mount Applications section	
<b>OPTIONS</b>	Outside Air Adapter Replacement Filter Remote Mount Filters * Replacement Recirc Filter In-Line Booster Pressurizers	RD-3-4784-0P 78R5310 See Filters & Pressurizers section 78R 5350 See Filters & Pressurizers section

\* Booster Pressurizer can only be used with Remote Mount Filters

# SERVICE PARTS LIST



ITEM	NOTE	PART NO.	DESCRIPTION	CAT. NO.	ITEM	NOTE	PART NO.	DESCRIPTION	CAT. NO.
1		RD-2-2031-0	HOUSING ASSY		10		RD-5-3781-0	DBL BLOWER HOUSING	
2		RD-5-5223-1	AIR DIFFUSER ASSY (3)	72R 3100	11		RD-5-5656-0	BLOWER WHEEL (2)	73R 7000
3		RD-5-5928-0	KNOB-CONTROL	71R 4040	12		RD-2-2047-0	EVAPORATOR ASSY	76R 4920
4		RD-5-3646-0	SWITCH, 3 SPEED	71R 1150	13		RD-4157-0	EXPANSION VALVE	71R 8300
5		RD-5-4531-24	THERMOSTAT	71R 3200	14		RD-5-6868-0	EXPANSION VLV R-134a	71R 8310
6		RD-2-2048-0	BLWR MOTOR ASSY (12V)		15		RD-2-2041-0	COVER ASSY - HOUSING	
7		RD-2-2048-1	BLWR MOTOR ASSY (24V)		16	A	RD-3-4784-0	FRESH AIR BOX ASSY	
8		RD-5-3780-0	MOTOR - 12V	73R 4102	17		RD-5-6867-0	AIR FILTER	
9		RD-5-3780-24	MOTOR -24V	73R 4104					

A. OPTIONAL AND PURCHASED SEPARATELY (NOT SHOWN).

# Model R-9755 Series

RED DOT CORPORATION P.O. Box 58270 Seattle, WA 98188 (206) 575-3840



PRINTED ON RECYCLED PAPER

2-20BC

2/93

RD-2-2026-0 (REV -)

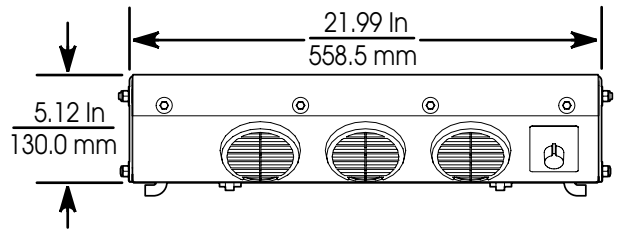
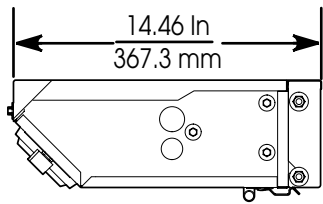
FOR REFERENCE ONLY. SUBJECT TO CHANGE WITHOUT NOTICE



# Red Dot Air Conditioner R-9755 Series

## TECHNICAL SALES BULLETIN AND SERVICE PARTS LIST

### DIMENSIONS

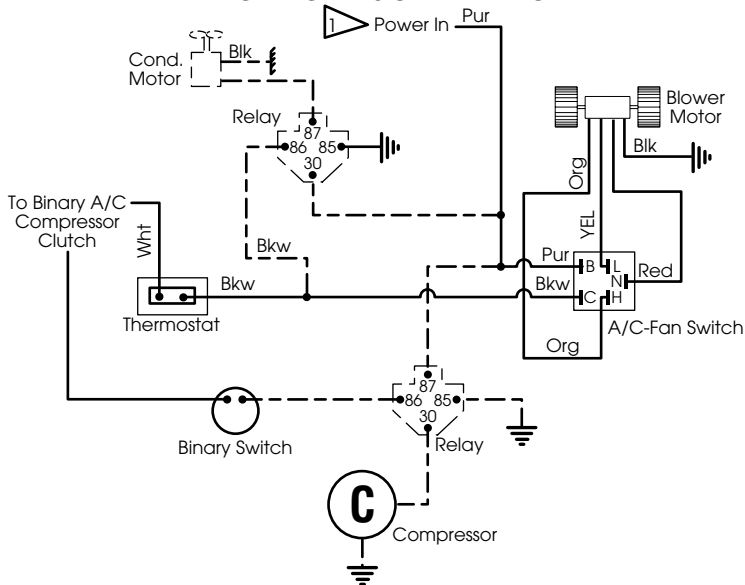


### SPECIFICATIONS

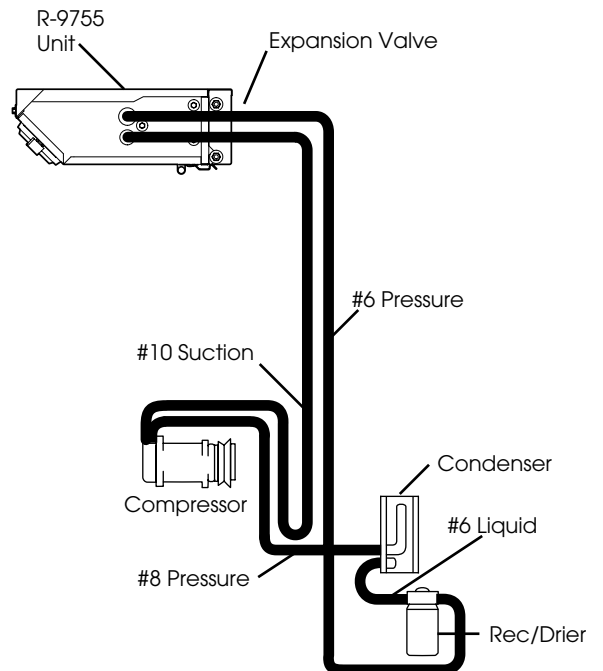
- BTU's Per Hour:** Cooling- 17,000 Btu/Hr (4.98 K.W./Hr.) @ 80°F. (26.7°C) Wet Bulb and 36°F. (2.20°C) Refrigerant Temp.
- Air Flow:** 250 C.F.M.
- Current Draw:** 14 Amps @ 13.6 Volts (Includes 4 Amps for A/C Clutch)  
7 Amps @ 27.2 Volts (Includes 2 Amps for A/C Clutch)

### SCHEMATICS

#### ELECTRICAL SCHEMATIC



#### PLUMBING SCHEMATIC



Use 15 Amp Fuse or Breaker for 24V System (Cust. Supplied)  
Use 30 Amp Fuse or Breaker for 12V System (Cust. Supplied)

Note: All Wires Are 16 Ga Unless Otherwise Specified  
WARNING: Unit warranty void if fused power source not used.

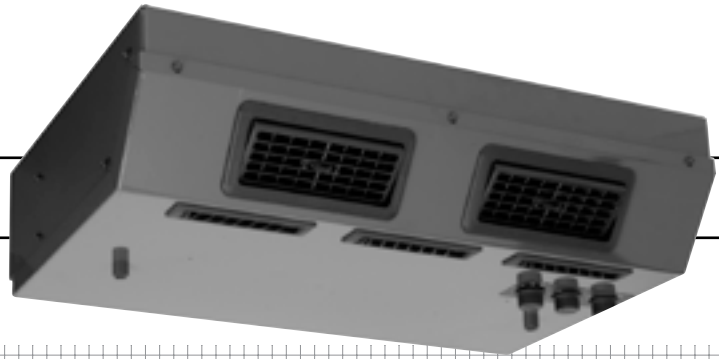
**OFF-ROAD**

# R-9759 Headliner

*Heater/Air Conditioner Unit*

**OFF-ROAD • CONSTRUCTION • INDUSTRIAL**

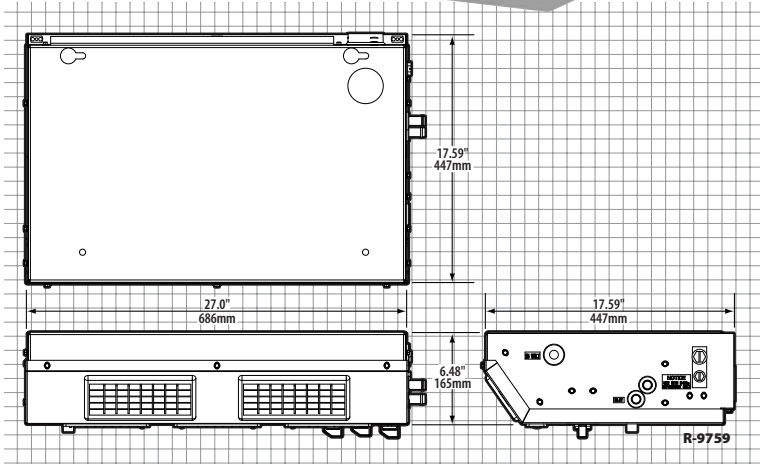
Delivering 400 CFM through five outlets, the R-9759 provides exceptional comfort in demanding conditions. Available as a heater-A/C combination or A/C-only. Optional filtration is available for the cab as well as incoming outside air when pressurization is required.



**HEATER-A/C**

**R-9759 SPECIFICATIONS**

<b>BTUs</b>	Cooling - 25,000 BTU/Hr Heating - 30,000 BTU/Hr
<b>AIR FLOW</b>	400 CFM (680 m <sup>3</sup> /h)
<b>WEIGHT</b>	40 lbs. (18 kg)
<b>CURRENT DRAW</b>	R-9759-0P      22.5A @ 13.5V R-9759-0-24P   11A @ 27V



**R-9759 SYSTEM ORDERING GUIDE**

	<b>R-134a</b>	<b>NOTES</b>
<b>UNITS</b>	R-9759-0P R-9759-0-24P R-9759-1P R-9759-1-24P	12 VDC - A/C only 24 VDC - A/C only 12 VDC - Heater A/C 24 VDC - Heater A/C
<b>CONDENSER</b>	R-9720 - Remote Mount	
<b>INSTALLATION KIT</b>	78R1705 78R1077	Refrigerant hose, fittings and hardware Rooftop condenser    EZ Clip version
<b>COMPRESSOR</b>	See 75 Series Compressor section	
<b>R134A CHARGE FITTING</b>	75R5681 and 75R5688	Required with CCI and Tecumseh applications
<b>CLUTCH TECUMSEH/CCI</b>	See 75 Series Clutch section	
<b>COMPRESSOR MOUNT KIT</b>	See Compressor Mount Applications section	