

R-1630

Heater/Air Conditioner/Defroster Unit

OFF-ROAD • CONSTRUCTION • INDUSTRIAL

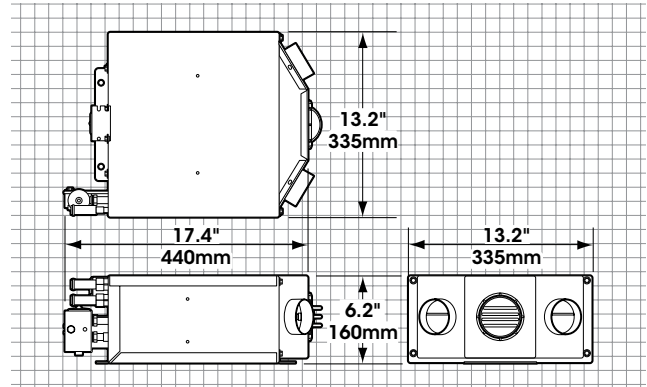
The R-1630 combines powerful heating and cooling with the compact profile you need for tight spaces. It easily mounts under the seat or the package tray, and the louver and duct options let you direct air where you need it..



Shown with optional louvers

R-1630 SPECIFICATIONS

BTUs	Heating - 27,000 BTU/hr @ 100° F (5.7kW @ 37.8° C) air temperature rise Cooling - 17,000 BTU/hr @ with 36° F (9.7 kW with 2.2° C) refrigerant temperature and 80° (26.7° C) wet bulb entering air
AIR FLOW	265 CFM
WEIGHT	25 lbs. (11.3 kg)
CURRENT DRAW	17.8 amps @ 13.6 VDC 8.9 amps @ 27.2 VDC
MODELS	R-1630-1P (12 VDC) R-1630-1-24P (24 VDC)



OPTIONS:

Louvers

Unit shown with optional louvers.



RD-3-10597-0P

Louvers & Ducts



RD-3-10478-0P

Control Panels (See also 71 Series, Control Panels)

- 71R5600 Three-speed motor switch - includes manual water valve control
- 71R5605 Three-speed motor switch - includes electronic water valve control
- 71R5122 Three-speed motor switch - includes A/C switch and electronic water valve
- 71R5605 Three-speed motor switch - includes electronic water valve control

R-1630 SYSTEM ORDERING GUIDE

	R12/R-134a	NOTES
UNITS	R-1630-1P R-1630-1-24P	12 VDC – Variable Thermostat 24 VDC – Variable Thermostat
CONDENSER	R-6160 - ROOF MOUNT 77R0650 - RADIATOR MOUNT	See Units Condensers section See 77 Section Condensers section
INSTALLATION KIT	78R1070 78R1077 78R1027 78R1025	Rooftop condenser ATCO version Rooftop condenser EZ Clip version Front mount condenser EZ Clip version Front mount condenser ATCO version
COMPRESSOR	See 75 Series Compressor section	
R134A CHARGE FITTING	75R5681 and 75R5688	Required with CCI and Tecumseh applications.
CLUTCH TECUMSEH/CCI	See 75 Series Clutch section	
COMPRESSOR MOUNT KIT	See Compressor Mount Applications	
OPTIONS	Control Panel (See 71 Series, Control Panels)	

OFF-ROAD

R-2300

Ductable Heater/Air Conditioner/Defroster Unit

UNIVERSAL APPLICATIONS

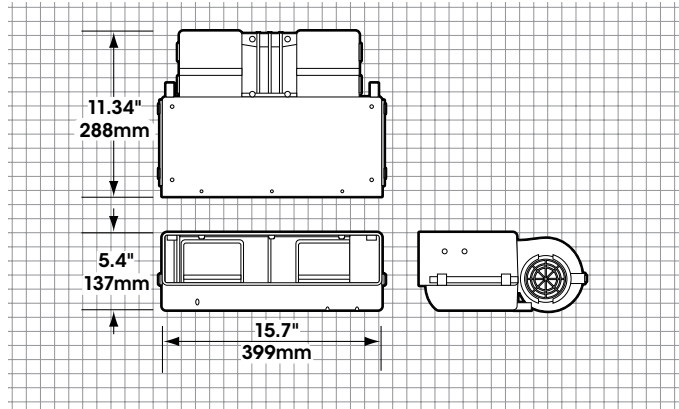
Perfect for lighter-duty vehicles, the versatile R-2300 mounts on the floor, ceiling, or under the dash and is available with optional louvers and air outlets for ducting.



HEATER-A/C

R-2300 SPECIFICATIONS

BTUs	Heating – 32,070 BTU/Hr @ 100°F (9 kW @ 37.8°C) air temperature rise Cooling – 17,736 BTU/Hr @ 36°F (5.2 kW @ 2.2°C) refrigerant temperature and 80°F (26.7°C) wet bulb entering air
WEIGHT	15 lbs. (6.8 kg)
AIR FLOW	275 CFM (467 m ³ /h)
CURRENT DRAW	12.2 amps @ 13.6 VDC (includes 4 amps for A/C clutch) 6.1 amps @ 27.2 VDC (includes 2 amps for A/C clutch)



OPTIONS:

2 1/2" Outlet Adapter
RD-1-1651-0P



4 Louver Outlet Adapter
RD-2-3279-0P



2 1/2" Defrost Hose (9')
78R0250



Control Panels (See also 71 Series, Control Panels)

For R-2300-0P & R-2300-0-24P	71R5815	Three-speed motor switch with A/C switch
For R-2300-1P & R-2300-1-24P	71R5821	Heater control - Three-speed motor switch with manual water valve control
	71R5823	Heater control - Three-speed motor switch with electronic water valve control
For R-2300-2P & R-2300-2-24P	71R5600	Three-speed motor switch - includes manual water valve control
	71R5605	Three-speed motor switch - includes electronic water valve control
	71R5122	Three-speed motor switch - includes A/C switch and electronic water valve

R-2300 SYSTEM ORDERING GUIDE

R12/R-134a	NOTES
UNITS R-2300-0P	A/C Only (12 VDC)
R-2300-0-24P	A/C Only (24 VDC)
R-2300-1P	Heater Only (12 VDC)
R-2300-1-24P	Heater Only (24 VDC)
R-2300-2P	Heater A/C (12 VDC)
R-2300-2-24P	Heater A/C (24 VDC)
CONDENSER	12 & 24 VDC, See 77 Series, Condenser Section
INSTALLATION KIT	78R1027 / RD-5-11864-1P Refrigerant hose, fittings, drier, pressure switch, hardware / EZ Clip version 78R1025 Refrigerant hose, fittings, drier, pressure switch, hardware / ATCO version
COMPRESSOR	See 75 Series Compressor section
R134A CHARGE FITTING	75R5681 and 75R5688 Required with CCI and Tecumseh applications.
CLUTCH TECUMSEH/CCI	See 75 Series Clutch section
COMPRESSOR MOUNT KIT	See Compressor Mount Applications section

R-2550

Heater/Air Conditioner

RESCUE VEHICLES

The R-2550 is specifically designed for ambulances and other lighter-duty vehicles with large interior spaces to heat and cool quickly.

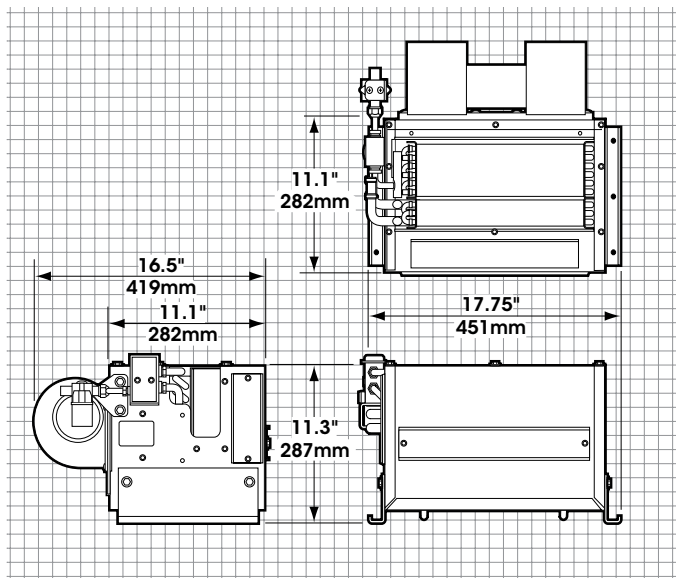


R-2550 SPECIFICATIONS	
BTUs	Heating – 45,900 BTU/Hr @ 100°F (13.4 kW @ 37.8°C) air temperature rise Cooling – 35,600 BTU/Hr @ 36°F (10.4 kW @ 2.2°C) refrigerant temperature and 80°F (26.7°C) wet bulb entering air
AIR FLOW	390 CFM (662 m³/h)
WEIGHT	39 lbs. (17.7 kg)
CURRENT DRAW	22 amps @ 13.6 VDC (Heater/AC)
UNITS	R-2550-0P Heater/Air Conditioner (12 VDC)

OPTIONS:

Control Panels (See also 71 Series, Control Panels)

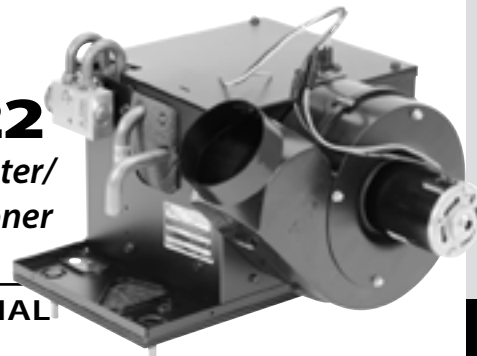
- 71R5600 Three-speed motor switch - includes manual water valve control
- 71R5605 Three-speed motor switch - includes electronic water valve control
- 71R5122 Three-speed motor switch - includes A/C switch and electronic water valve
- 71R5812 Automatic Temperature Control - 12 volt
- 71R5212 Heater-A/C Control - Three-speed motor switch with Red Dot Twin Temp™ Control



R-4122

Sleeper Heater/Air Conditioner Unit

COMMERCIAL TRUCKS • INDUSTRIAL CABS • VANS

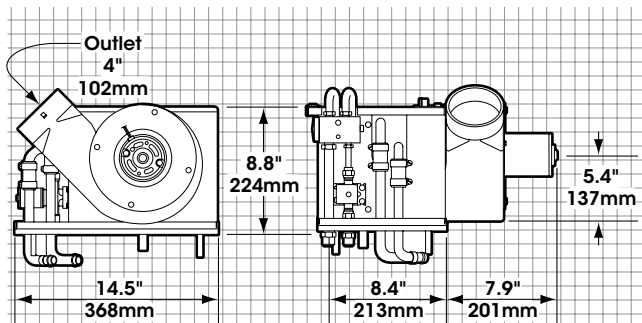


A high-performance heater-A/C unit for big interior spaces, the R-4122 helps keep the sleeper comfortable in any climate. Available with optional sleeper controls and a four-way air diffuser.

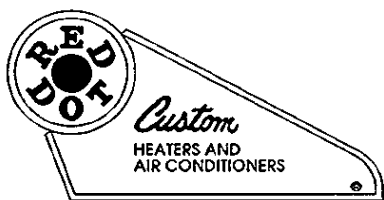
R-4122 SPECIFICATIONS	
BTUs	Heating – 30,573 BTU/Hr @ 100°F (8.9 kW @ 37.8°C) air temperature rise Cooling – 19,246 BTU/Hr with 36°F (5.6 kW with 2.2°C) refrigerant temperature and 80°F wet bulb entering air
AIR FLOW	283 CFM (481 m³/h)
WEIGHT	28 lbs. (12.7kg)
MOTORS	Permanent magnet, three-speed
CURRENT DRAW	18 amps @ 13.6 VDC 9 amps @ 27.2 VDC
UNITS	Heater/A/C R-4122-9P 12 VDC

OPTIONS:

- Four-Way Air Assembly Diffuser** (outlets are 2 5/8" dia) RD-3-7646-0P
- Plumbing Kit** RD-3-12465-0P
- Single Shaft, Single Speed Blower Motor** 73R0404
- Sleeper Control** R-4122-9P – 71R5212 (thermostat with fan and mode switch)
- Solenoid Valve, 24v** 71R9004
- Control Panels** (See also 71 Series, Control Panels)
 - 71R5600 Three-speed motor switch - includes manual water valve control
 - 71R5605 Three-speed motor switch - includes electronic water valve control
 - 71R5122 Three-speed motor switch - includes A/C switch electronic water valve
 - 71R5812 Automatic Temperature Control - 12 volt
 - 71R5212 Heater-A/C Control - three-speed motor switch, Red Dot Twin Temp™ Control

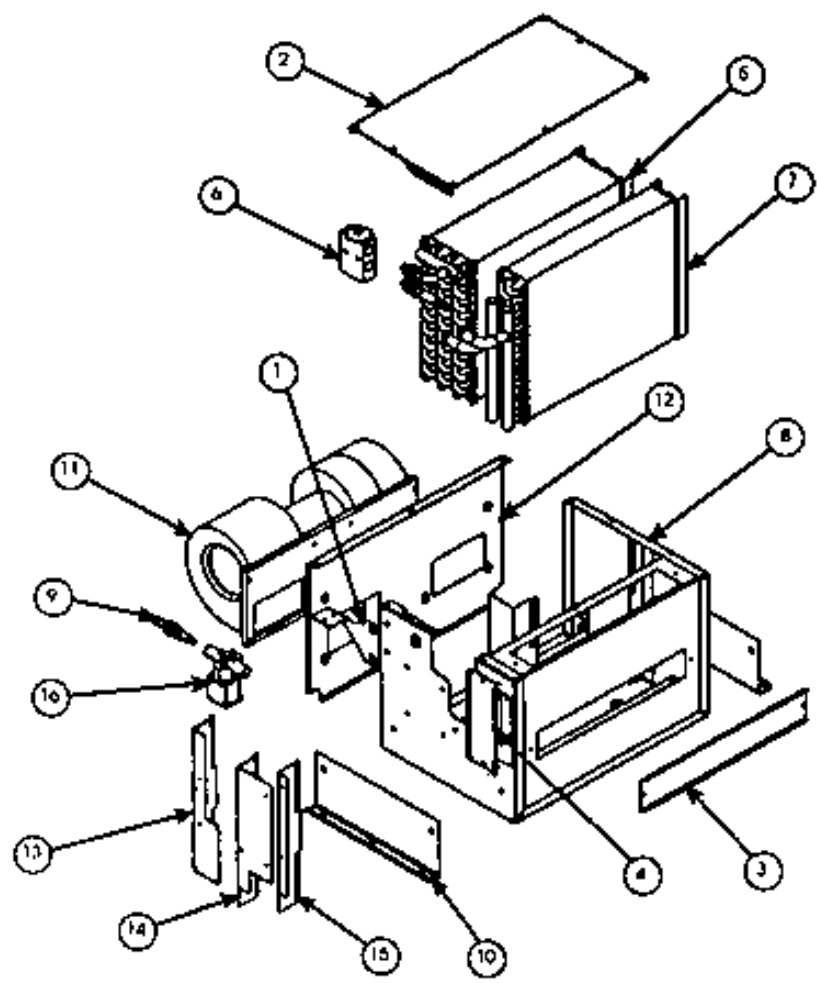


HEATER-A/C



Heater- Air Conditioner Model R-2550

SERVICE PARTS LIST



ITEM	NOTE	PART NO.	DESCRIPTION	CAT NO	ITEM	NOTE	PART NO.	DESCRIPTION	CAT. NO
1		RD-3-9176-1	BRKT. - ATTACH., SOLENOID		9		RD-3-3321-0	INLET TUBE ASSY. - #6	
2		RD-3-9175-1	COVER		10		RD-3-9174-1	LEG- MOUNTING	
3		RD-3-9180-1	COVER - OUTLET, AIR		11		RD-5-9051-0	MOTOR BLOWER ASSY.	
4		RD-3-9276-1	COVER - OUTLET, AIR		12		RD-3-9173-2	PANEL ASSY. - BLOWER	
5		RD-2-3398-0	EVAPORATOR ASSY.		13		RD-3-9196-1	RETAINER- HEADER	
6		RD-5-6868-0	EXPANSION VALVE	70R 8300	14		RD-3-9177-1	RETAINER- HEADER, TOP	
7		RD-1-1748-0	HEATER CORE ASSY.		15		RD-3-9277-0	RETAINER- HEADER, TOP	
8		RD-3-9197-0	HOUSING - ASSY.		16		RD-3-7844-0	SOLENOID ASSY.	

Red Dot Corporation PO Box 88790, Seattle, WA 98138 (425) 251-6897 Fax (425) 251-3934

R-270 Auxiliary Heater

RV • TRUCKS



The R-270 is a compact heater with three optional "snap-in" outlets so you can direct the air to where you need it.

R-270 SPECIFICATIONS

BTUs	Heating – 15,000 BTU/Hr @ 100°F air temp. rise (4.4 kW @ 34.8°C)
AIR FLOW	140 CFM (237 m ³ /h)
WEIGHT	7 lbs. (3 kg)
MOTORS	One 12 VDC (2-speed)
CURRENT DRAW	7.7 amps @ 13.6 VDC 3.8 amps @ 27.2 VDC
UNITS	R-270-0P (12 VDC) R-270-0-24P (24 VDC)

OPTIONS:

Snap In Outlets

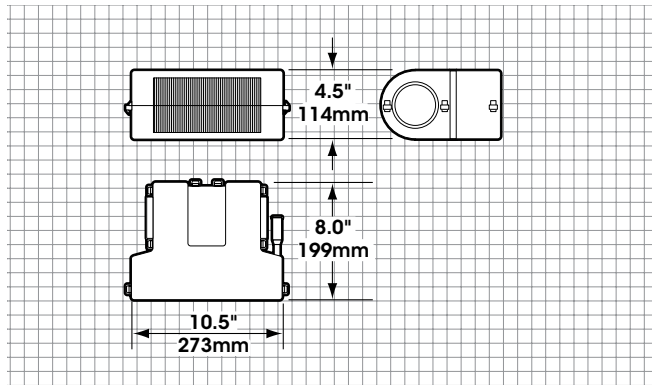
Installation Kit
RD-1-1654-0P 12VDC

Straight 2 1/4" Hose Outlet
72R4532



Control Panel
71R5819
Heater control -
Two-speed motor switch with manual
water valve control

Louvered Outlet
72R3157



R-273 Auxiliary Heater

RV • TRUCKS



The R-273 is a compact heater with three optional "snap-in" outlets so you can direct the air to where you need it.

R-273 SPECIFICATIONS

BTUs	Heating – 14,000 BTU/Hr @ 100°F air temp. rise (4.1 kW @ 34.8°C)
AIR FLOW	129 CFM (220 m ³ /h)
WEIGHT	3 lbs. (1.35 kg)
MOTORS	One 12 VDC (2-speed)
CURRENT DRAW	4.6 amps @ 13.6 VDC 2.3 amps @ 27.2 VDC
UNITS	R-273-0P (12 VDC) R-273-0-24P (24 VDC)

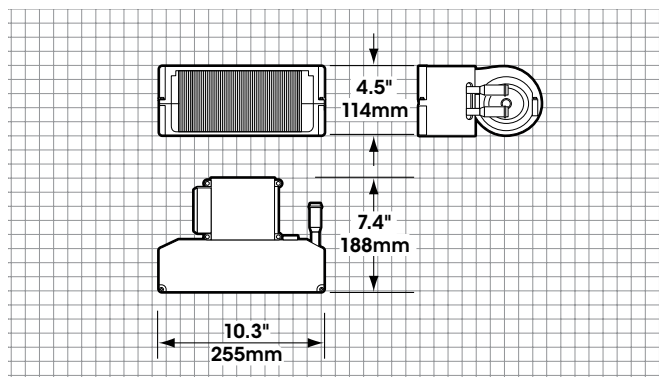
OPTIONS:

Louvers

RD-3-14071-0P

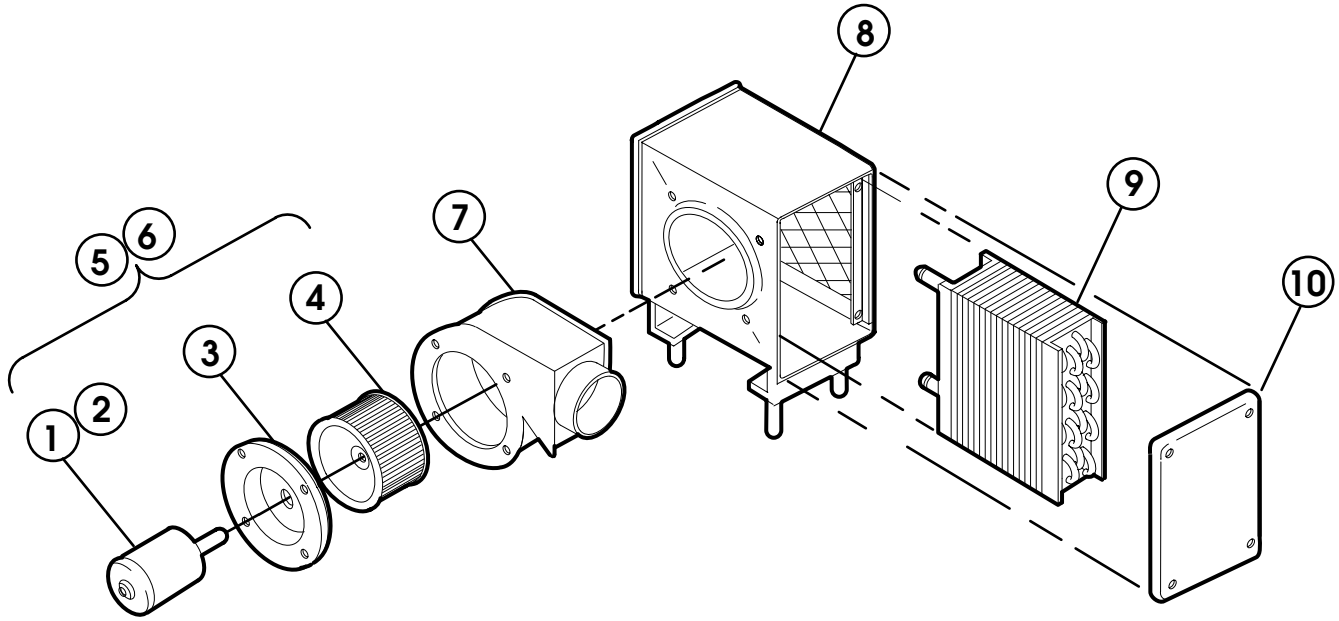


Installation Kit
RD-1-1654-0P



LS = Limited to stock on hand

SERVICE PARTS LIST



ITEM	NOTE	PART NO.	DESCRIPTION	CAT. NO.	ITEM	NOTE	PART NO.	DESCRIPTION	CAT. NO.
1		RD-3106-18	MOTOR BLOWER - 12V	73R 0202	6		RD-3-3739-0	MOTOR BLOWER ASSY-24V	
2		RD--3106-18-24	MOTOR BLOWER - 24V	73R 0204	7		RD-3-3169-5	BLOWER HOUSING ASSY	
3		RD--4101-4	MOTOR MOUNT		8		RD-1-0335-0	HEATER HOUSING ASSY	
4		RD-3106-14	BLOWER WHEEL		9		RD-1-0333-4	HEATER CORE	
5		RD-3106-27	MOTOR BLOWER ASSY-12V		10		RD-3-2624-1	COVER ASSY-CORE	

APPLICATION

Truck Sleeper Cabs

Marine*

Recreational Vehicles

This heater is small and compact and designed to compliment an existing heater as a defroster or to provide a primary heat source for small cabs where defrosters are not required.

*With Fresh Water Cooling Only

ORDERING INFORMATION

ORDER BY MODEL NUMBER **R-3911H**
FOR 24 VOLT APPLICATIONS ADD **-24** TO MODEL NUMBER

Additional cost items required for installation:

1. Single Speed Switch or
RD-32001-1 Control Switch.
2. 5/8" Heater Hose and Clamps.
3. Water Valve
4. 3" Defrost Hose and Outlet Louvers

RED DOT CORPORATION P.O. BOX 58270 Seattle, WA 98188 (253) 575-3840

RD-3-5393-0 (REV A)

PRINTED ON RECYCLED PAPER

FOR REFERENCE ONLY. SUBJECT TO CHANGE WITHOUT NOTICE

R-3500 HEATER

Auxiliary Heater

CRASH/FIRE/RESCUE • CREW CABS

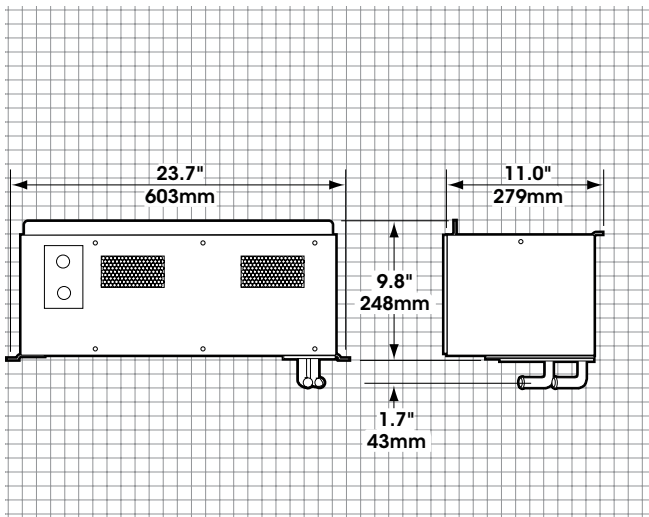
The R-3500 crew cab heater was designed with high performance to be able to heat larger cabs in extreme conditions. Its low profile and heavy duty construction allows this heater to be used in various applications.

R-3500 SPECIFICATIONS

BTUs	Heating – 49,000 BTU/Hr @ 180°F (kw 14.35 @ 82.2°C) temp. rise
AIR FLOW	480 CFM (816 m ³ /h)
WEIGHT	28 lbs. (13 kg)
CURRENT DRAW	15.9 amps @ 13.6 VDC
UNITS	R-3500-1P (12 VDC)



NOTE: Gasket on front



R-3540 HEATERS

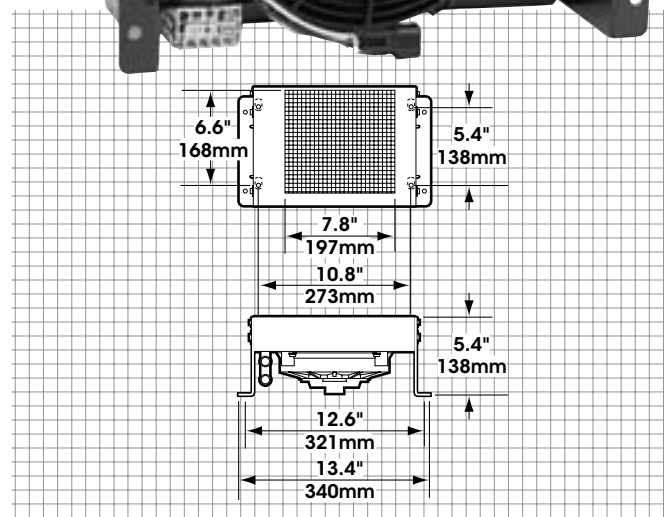
Auxiliary Heater

CRASH/FIRE/RESCUE • VAN • BUS

Designed for small spaces, the R-3540 delivers high capacity for its size. With a pancake fan design, this unit is quiet and moves close to 200 CFM of air. It has versatile mounting (flat or horizontal) and a resistor for variable speed control.

R-3540 SPECIFICATIONS

BTUs	22,970 BTU/Hr @ 180°F (kw 6.73 @ 82.6°C) air temp. rise
AIR FLOW	194 CFM (330 m ³ /h)
WEIGHT	10 lbs. (4.5 kg)
CURRENT DRAW	4.8 amps @ 13.6 VDC
UNITS	R-3540-2P (12 VDC)



HEATER ONLY

R-4013H

Heater/Defroster

CONSTRUCTION •
MINING •
AGRICULTURE •
INDUSTRIAL



The R-4013H is a compact, versatile, and high-output heater/defroster. Like other Red Dot heaters, the tube and fin coil design allows mounting in any position. A diversion door can be manually or cable-actuated to control defrost and heat output. An optional adapter to the heat outlet turns the R-4013 into a dual defroster or multi-compartment heater.

R-4013H SPECIFICATIONS

BTUs	Heating – 20,000 BTU/Hr @ 100°F (5.7 kW @ 37.8°C) air temp. rise
AIR FLOW	185 CFM (314 m ³ /h)
WEIGHT	15.7 lbs. (7.1 kg)
CURRENT DRAW	11 amps @ 13.6 VDC, 5.5 amps @ 27.2 VDC
UNITS	R-4013HP (12 VDC) For 24 volt see R-6130 (right)

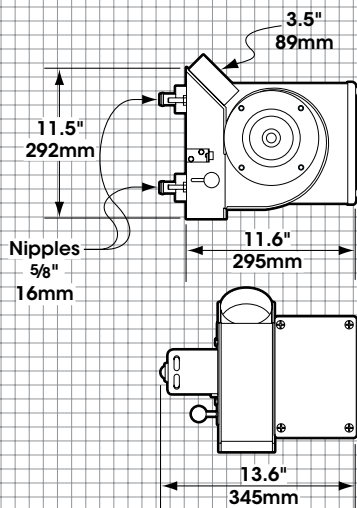
OPTIONS:

Heater Hose 3 1/2" Defrost Adapter
5/8" – 50' 72R3550
78R0100



Control Panel

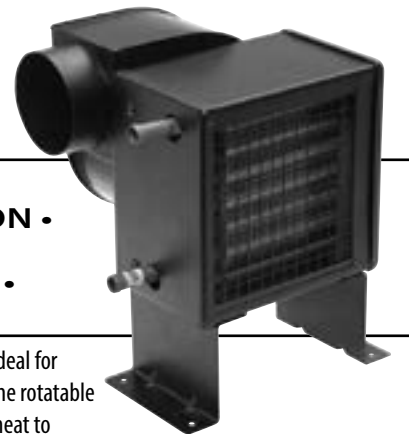
71R5819 Heater control - Two-speed motor switch with manual water valve control



R-6130

Box Heater

BUS •
CONSTRUCTION •
MINING •
AGRICULTURE •
INDUSTRIAL



The R-6130's compact size is ideal for mounting in tight areas and the rotatable blower makes it easy to duct heat to where you need it.

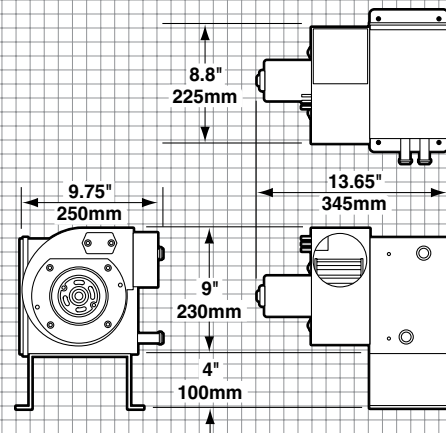
R-6130 SPECIFICATIONS

BTUs	Heating – 28,100 BTU/Hr @ 180°F (8.2 kW @ 37.8°C) air temp. rise
AIR FLOW	283 CFM (481 m ³)
UNITS	R-6130-1P (12 VDC) R-6130-0P (24 VDC)

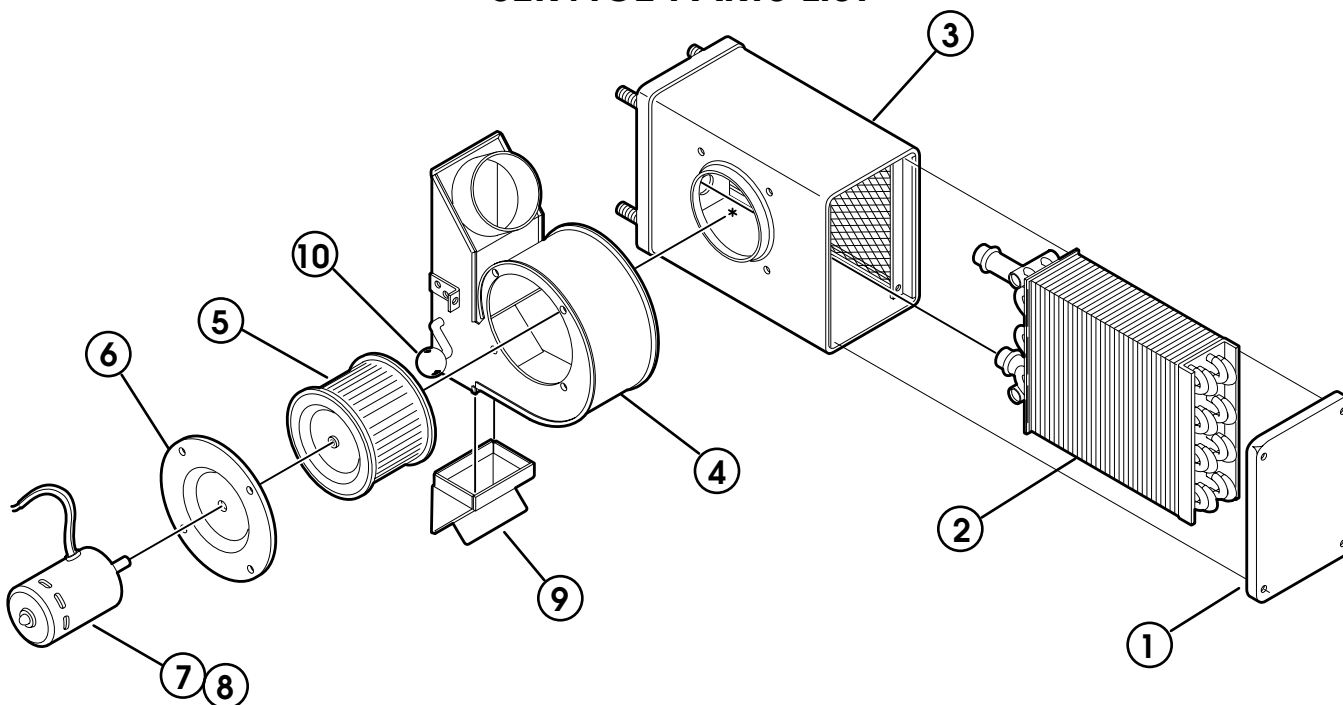
OPTIONS:

Control Panel

71R5819 Heater control - Two-speed motor switch with manual water valve control



SERVICE PARTS LIST



ITEM	NOTE	PART NO.	DESCRIPTION	CAT. NO.	ITEM	NOTE	PART NO.	DESCRIPTION	CAT. NO.
1		RD-3-2624-1	COVER ASSY		6		RD-4101-4	MOTOR MOUNT	
2		RD-1-0147-2	HEATER CORE		7		RD-3106-13	MOTOR (12V)	73R 0602
3		RD-1-0453-0	HOUSING ASSY		8		RD-3106-13-24	MOTOR (24V)	73R 0604
4		RD-1-0455-0	BLOWER PLENUM ASSY		9	A	RD-3187-0	2ND HOSE ADAPTER	
5		RD-3106-9	BLOWER WHEEL	73R 6050	10		RD-4120-0	KNOB	71R 4100

A. OPTIONAL - ORDER SEPARATELY

APPLICATION

Marine

Construction & Industrial

Recreational

This unit was designed as a versatile package to meet increasing demands for heating and defrosting in the above equipment, also for an additional source of heat to complement existing heaters and defrosters.

NOTE: None of these heaters are designed for other than fresh water application.

ORDERING INFORMATION

ORDER BY MODEL NUMBER R-4013-0
FOR 24 VOLT APPLICATION ADD -24 TO MODEL NUMBER.

Additional cost items required for complete system:

1. Two speed fan switch.
2. 5/8" heater hose and clamps.
3. Water valve.
4. 3 1/2" defrost hose and outlet louvers.
5. 2nd hose adapter (optional) RD-3187-0

RED DOT CORPORATION P.O. Box 58270 Seattle, WA 98138 (253) 575-3840

RD-5-7113-0 (REV A)

 PRINTED ON RECYCLED PAPER

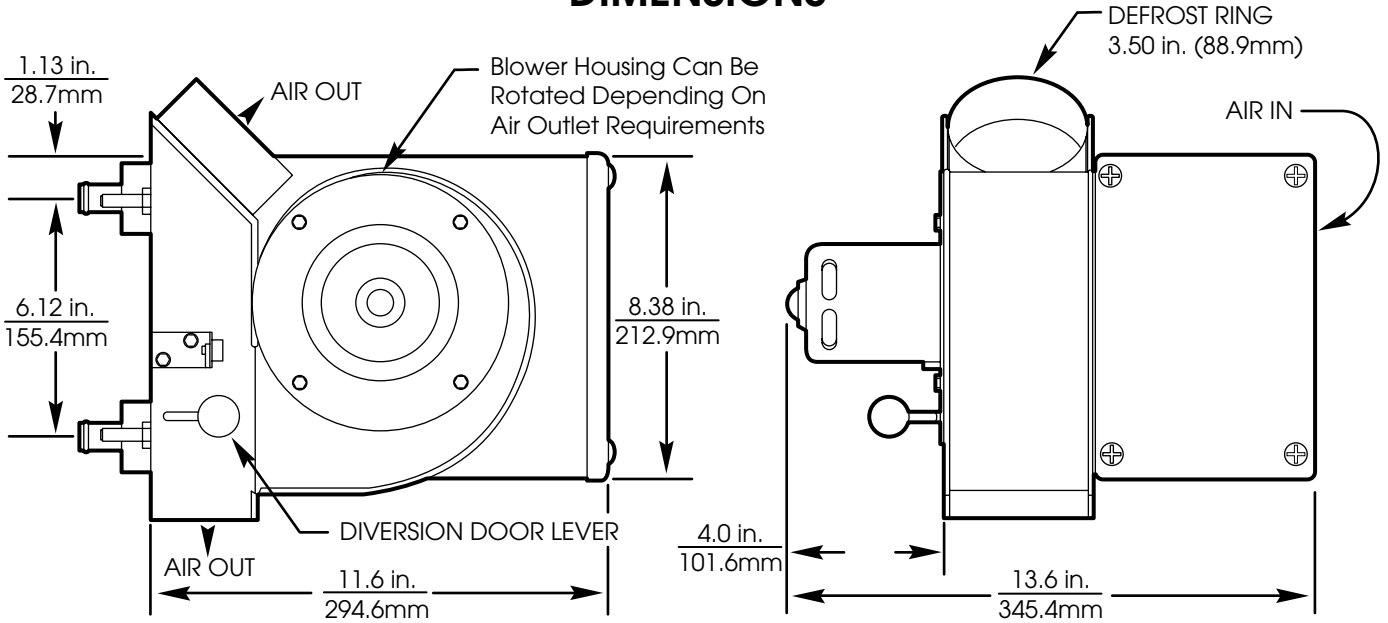
FOR REFERENCE ONLY. SUBJECT TO CHANGE WITHOUT NOTICE



Red Dot Heater-Defroster R-4013 Series

TECHNICAL SALES BULLETIN AND SERVICE PARTS LIST

DIMENSIONS

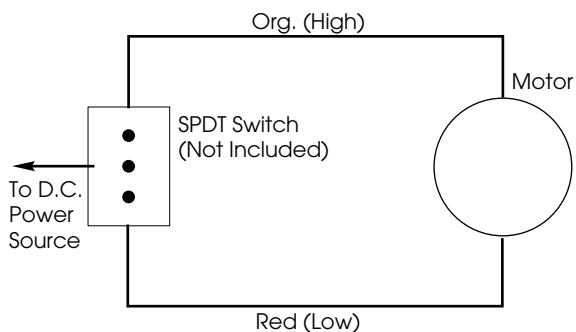


SPECIFICATIONS

BTU's Per Hour:	20,000 BTU/Hr @ 100°F Air Temperature Rise
Air Flow:	185 C.F.M.
Current Draw:	11 Amps @ 13.6 Volts
Weight:	15.7 Lbs.

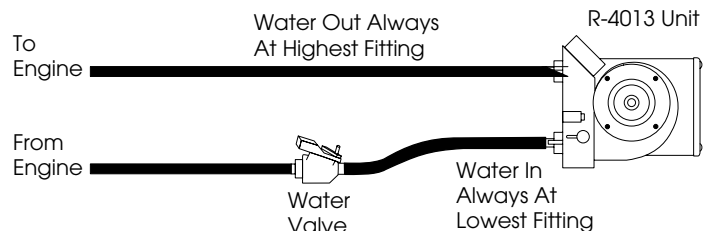
SCHEMATICS

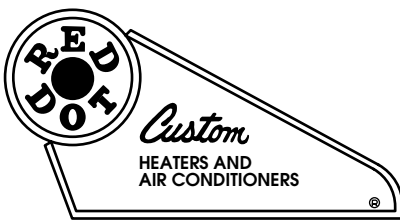
ELECTRICAL SCHEMATIC



NOTE: Motor internally grounded.

PLUMBING SCHEMATIC

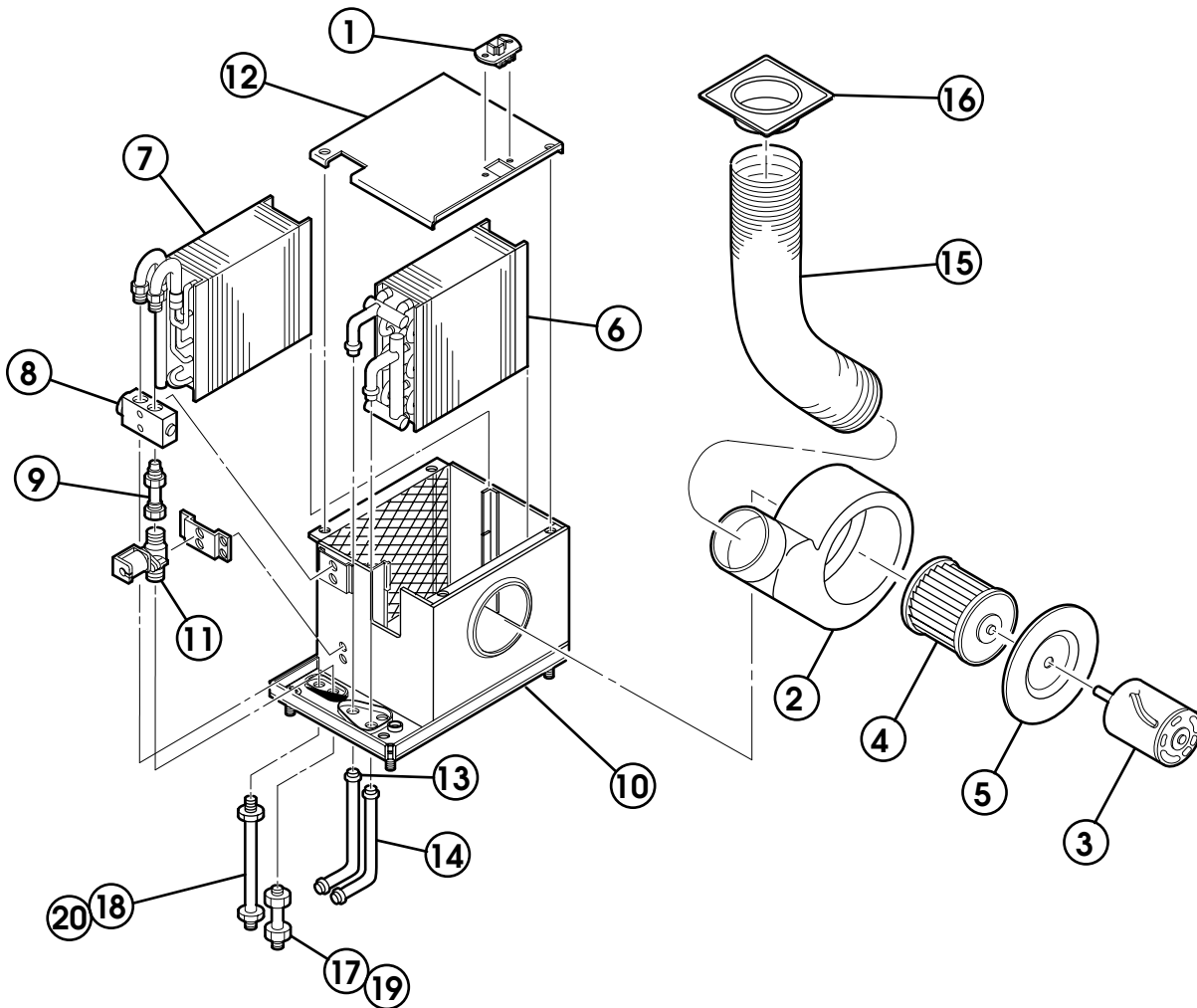




Sleeper Heater- Air Conditioner/ Heater Only

SERVICE PARTS LIST AND ELECTRICAL SCHEMATIC

SERVICE PARTS LIST



ITEM	NOTE	PART NO.	DESCRIPTION	CAT. NO.	ITEM	NOTE	PART NO.	DESCRIPTION	CAT. NO.
1		RD-5-3647-0	RESISTOR	71R 1450	11	A	RD-4188-0	SOLENOID	71R 9002
2		RD-3-4009-0	BLOWER HOUSING ASSY		12	A	RD-3-4052-0	COVER ASSY	
3		RD-5-6315-0	MOTOR - 12V	73R 0962	13		RD-1-0662-2	TUBE - OUTLET, 5/8"-5/8"	
4		RD-5-5601-0	BLOWER WHEEL	73R 6370	14		RD-1-0662-0	TUBE - INLET, 5/8"-5/8"	70R 7170
5		RD-3-4066-0	MOTOR MOUNT		15		RD-5-3927-30	DEFROST HOSE - 4"	
6		RD-1-0665-0	HEATER CORE ASSY	76R 2450	16		RD-3-1566-2	AIR OUTLET ASSY	
7	A	RD-2-1590-0	EVAPORATOR ASSY	76R 6140	17	C	RD-3-5395-0	INLET TUBE ASSY #6	
8	A	RD-4157-0	EXPANSION VALVE	71R 8300	18	C	RD-3-5964-0	OUTLET TUBE ASSY #10	
9	A	RD-3-3321-0	TUBE ASSY - INLET		19	D	RD-3-5979-0	INLET TUBE ASSY #6	
10		RD-3-4072-0	HOUSING ASSY		20	D	RD-3-5980-0	OUTLET TUBE ASSY #10	

A. HEATER - A/C COMBO ONLY B. NOT SHOWN AND PURCHASED SEPARATELY - RD-3-3751-1 ELECTRONIC SLEEPER CONTROL OR RD-3-1359-8 ELECTRO-MECHANICAL CONTROL. FOR HEATER ONLY USE RD-3-1359-7 ELECTRO-MECHANICAL CONTROL. C. RD-4122-0 & -2 ONLY D. RD-4122-3 & -4 ONLY

Model R-4122 Series

RD-3-4742-0 (REV A) FOR REFERENCE ONLY. SUBJECT TO CHANGE WITHOUT NOTICE

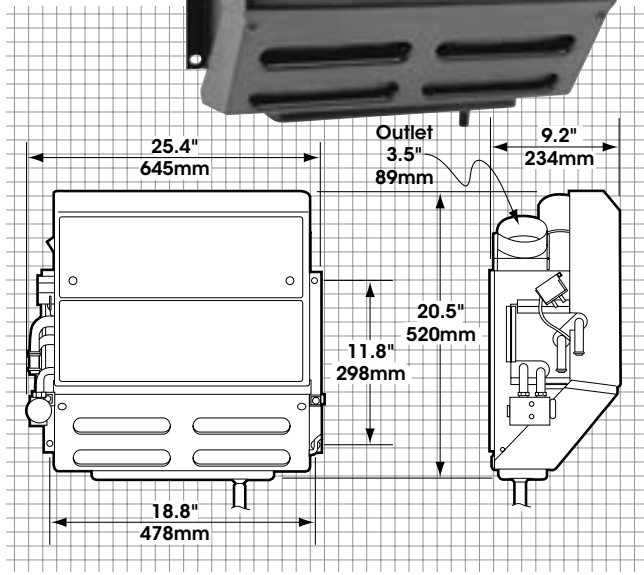
ON-ROAD

R-5040 BACKWALL

Heater with Air Conditioner Option

**RV • ARMORED CARS •
RESCUE VEHICLES • LARGE CABS**

At 425 CFM, the R-5040 is built to heat and cool high-volume interiors. The blower assemblies are easily accessible so the installer can duct the air to where it's needed, and the controls can be remote-mounted for the convenience of the operator.



R-5040 SPECIFICATIONS

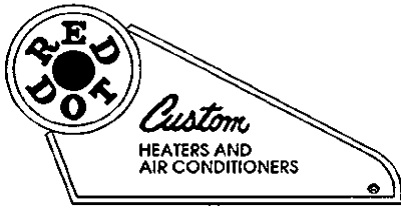
BTUs	Heating – 48,000 BTU/Hr @ 100°F (14 kW @ 37°C) air temperature rise Cooling – 32,000 BTU/Hr with 36°F (9.4 kW with 2.2°C) refrigerant temperature and 80°F (26.7°C)
AIR FLOW	425 CFM (722 m3/h)
WEIGHT	Heater – 30 lbs. (14 kg) Heater-A/C – 39 lbs. (18 kg)
MOTOR	Two three-speed
CURRENT DRAW	27 amps @ 13.6 VDC (includes 4 amps for A/C clutch); 14.5 amps @ 27.2 VDC (including 2 amps for A/C clutch)

R-5040 SYSTEM ORDERING GUIDE

	R12/R-134a	NOTES
UNITS	R-5040-0P R-5040-2P R-5040-4P R-5040-6P	12 VDC Heater 24 VDC Heater 12 VDC Heater/Air Conditioner 24 VDC Heater/Air Conditioner
CONDENSER	77R0700 - Radiator mount R-9730 - Remote mount	See 77 Series Condensers section See Units Condensers section
INSTALLATION KIT	78R1070 78R1077 78R1027 78R1025	Rooftop condenser ATCO version Rooftop condenser EZ Clip version Front mount condenser EZ Clip version Front mount condenser ATCO version
COMPRESSOR	See 75 Series Compressor section	
R134A CHARGE FITTING	75R5681 and 75R5688	Required with CCI and Tecumseh applications.
CLUTCH TECUMSEH/CCI	See 75 Series Clutch section	
COMPRESSOR MOUNT KIT	See Compressor Mount Applications section	

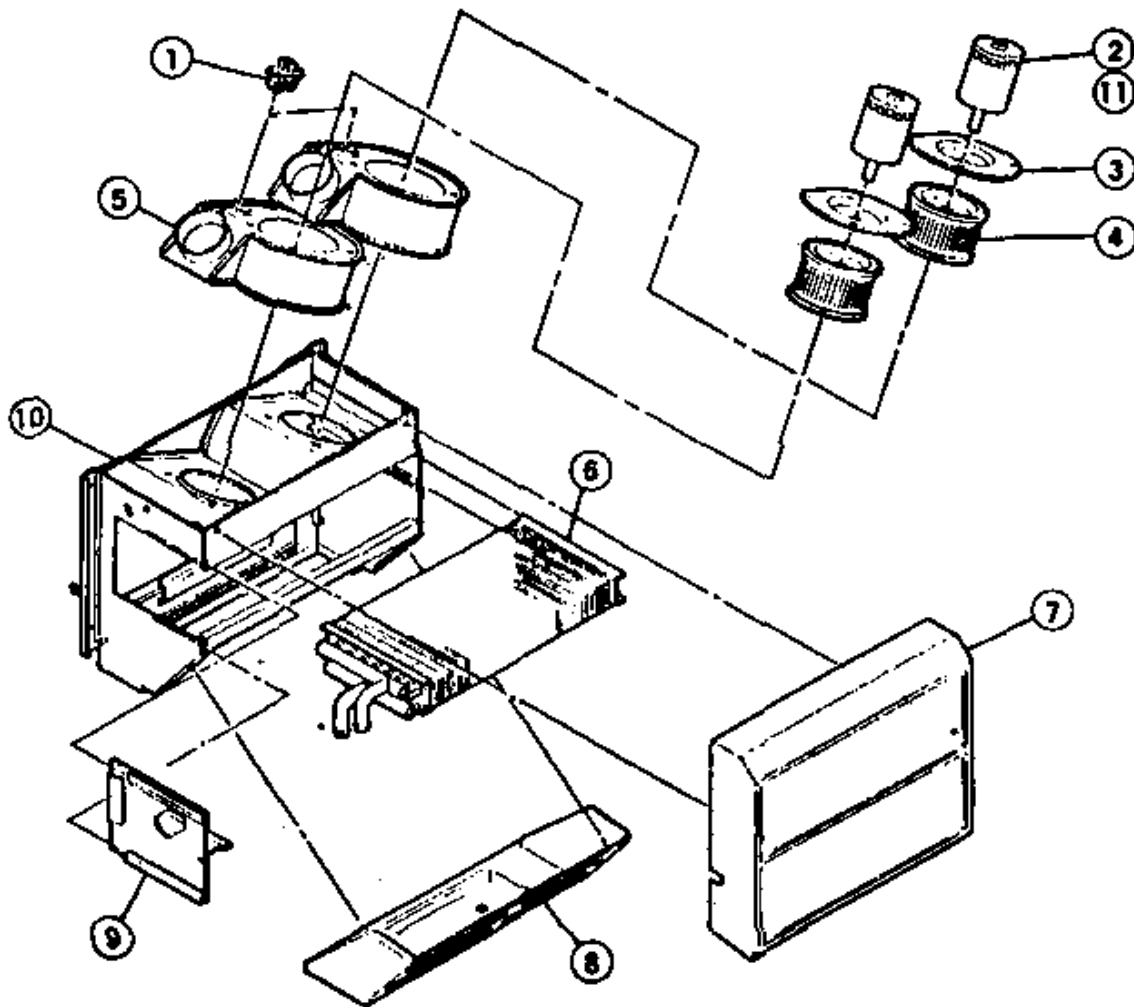
OPTIONS: Control Panels (See also 71 Series, Control Panels)

R-5040-0P	71R5821	Heater control - Three-speed motor switch with manual water valve control
R-5040-2P	71R5823	Heater control - Three-speed motor switch with electronic water valve control
R-5040-4P	71R5600	Three-speed motor switch - includes manual water valve control
	71R5605	Three-speed motor switch - includes electronic water valve control
	71R5122	Three-speed motor switch - includes A/C switch and electronic water valve
	71R5812	Automatic Temperature Control - 12 volt
R-5040-6P	71R5600	Three-speed motor switch - includes manual water valve control
	71R5605	Three-speed motor switch - includes electronic water valve control
	71R5122	Three-speed motor switch - includes A/C switch and electronic water valve
	71R5814	Automatic Temperature Control - 24 volt



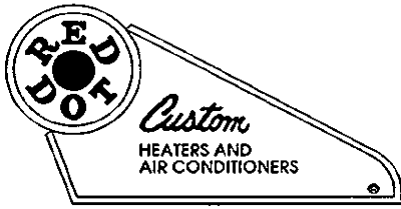
Heater Models R-5040-0 & R-5040-2

SERVICE PARTS LIST



ITEM	PART NO.	DESCRIPTION	ITEM	PART NO.	DESCRIPTION
1	RD-5-3647-0	RESISTOR (2 REQ.)	7	RD-3-2415-2	CORE COVER
2	RD-5-3753-0	MOTOR (2 REQ.)	8	RD-3205-29	AIR INTAKE COVER ASSY.
3	RD-4101-6	MOTOR MOUNT (2 REQ.)	9	RD-3-2652-1	CORE COVER ASSY.
4	RD-3106-110	BLOWER WHEEL (2 REQ.)	10	RD-3-2649-0	HOUSING ASSY.
5	RD-3-2220-0	BLOWER ASSY. (2 REQ.)	*11	RD-5-3751-24	MOTOR - 24V (2)
6	RD-1-0325-0	HEATER CORE	*12	RD-5-3948-0	LABEL - 24V

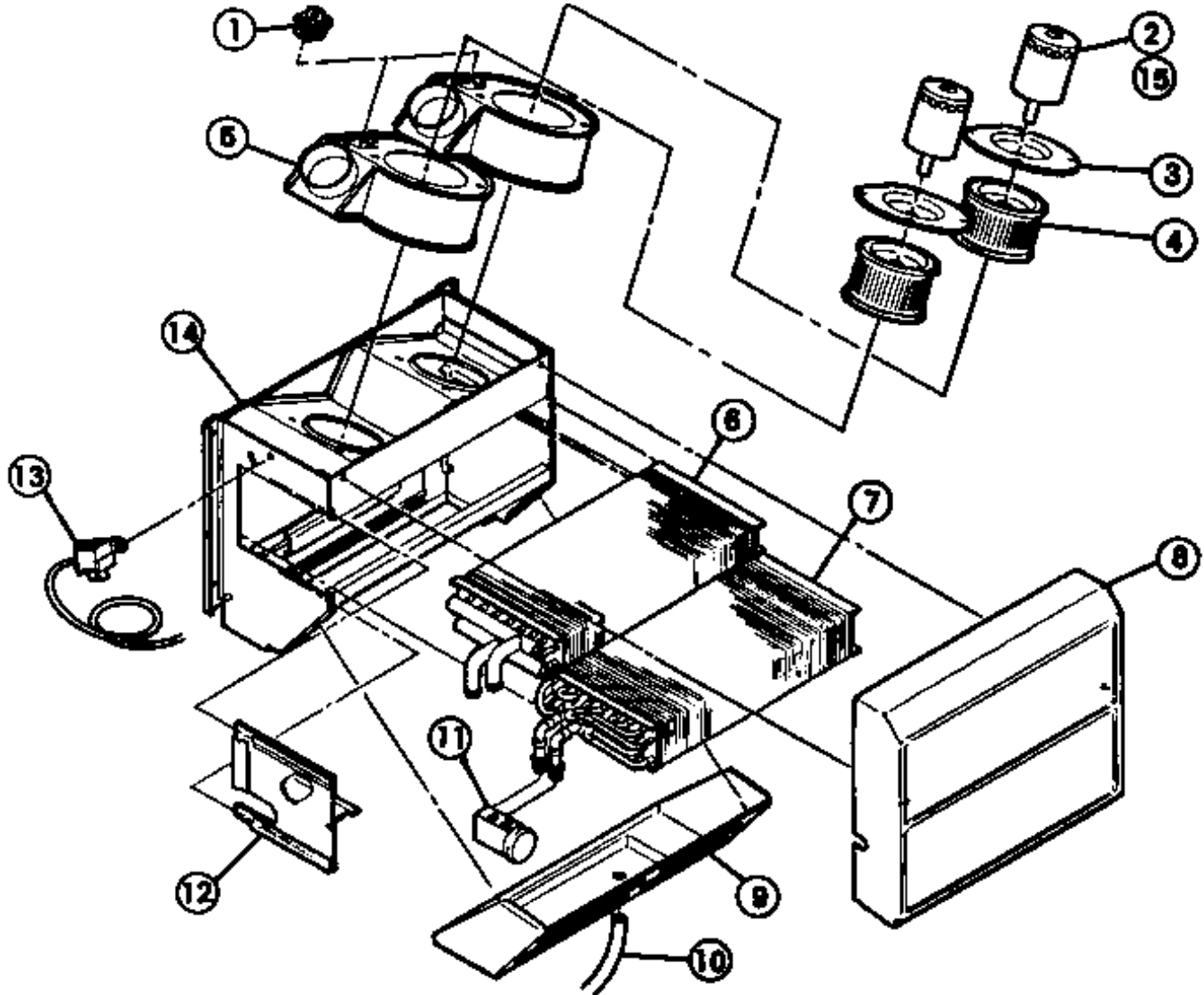
*ITEMS 11 & 12 USED ON MODEL R-5040-2 ONLY



Heater – Air Conditioner

Models R-5040-4 & R-5040-6

SERVICE PARTS LIST



ITEM	PART NO.	DESCRIPTION	ITEM	PART NO.	DESCRIPTION
1	RD-5-3647-0	RESISTOR (2 REQ.)	9	RD-3205-29	AIR INTAKE COVER
2	RD-5-3753-0	MOTOR (2 REQ.)	10	RD-5-3550-12	DRAIN HOSE
3	RD-4101-6	MOTOR MOUNT (2 REQ.)	11	RD-4157-0	EXPANSION VALVE
4	RD-3106-10	BLOWER WHEEL (2 REQ.)	12	R-3-2652-0	CORE COVER ASSY.
5	RD-3-2220-0	BLOWER ASSY. (2 REQ.)	13	RD-5-4531-24	THERMOSTAT
6	RD-1-0325-0	HEATER CORE	14	RD-3-2649-0	HOUSING ASSY.
7	RD-2-1370-0	EVAPORATOR COIL	*15	RD-5-3751-24	MOTOR -24V (2)
8	RD-3-2415-2	CORE COVER	*16	RD-5-3948-0	LABEL-24V

* ITEMS 15 & 16 USED ON MODEL R-5040-6 ONLY

Red Dot Corporation PO Box 88790, Seattle, WA 98138 (425) 251-6897 Fax (425) 251-3934

OFF-ROAD

R-9520 Floor

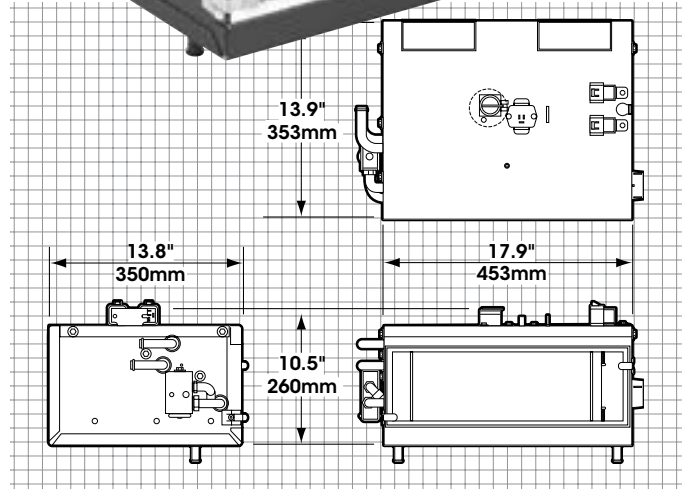
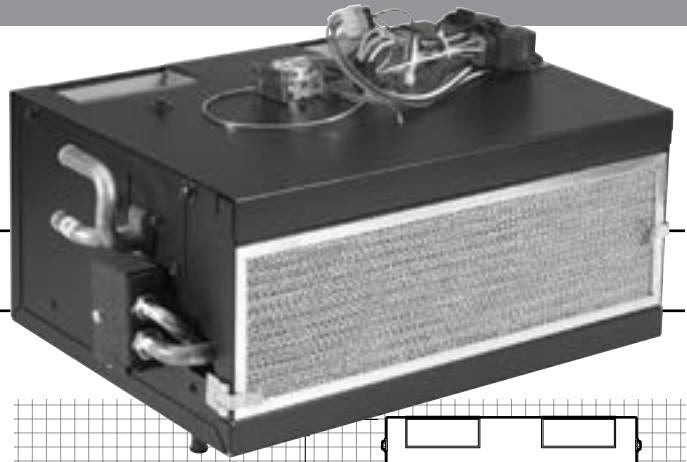
Heater/Air Conditioner with Reversible Cores

CONSTRUCTION • MINING • AGRICULTURE

Our R-9520 is a powerful floor-mounted heater/air conditioner for heavy-duty and off-highway equipment cabs. Plenum options let you duct or direct air where you need it, and a variety of remote-mounted controls are available to complete the installation. A plastic trim kit is available with the louvered plenum assembly for an integrated look.

R-9520 SPECIFICATIONS

BTUs	Heating – 31,600 BTU/Hr @ 100°F (9.3 kW @ 37.8°C) air temperature rise, Cooling – 33,070 BTU/hr with 36°F (9.7 kW with 2.2°C) refrigerant temperature and 80°F (26.7°C) wet bulb entering air
AIR FLOW	430 CFM (730 m³/h)
WEIGHT	41 lbs. (19 kg)
MOTOR	One three-speed; vented; permanent magnet
CURRENT DRAW	11.2 amps @ 27.2 VDC (includes 2 amps for A/C clutch)



R-9520 SYSTEM ORDERING GUIDE

	R12/R-134a	NOTES
UNITS	R-9520-0P R-9520-0-24P	12 VDC - Heater / Air Conditioner 24 VDC - Heater / Air Conditioner
CONDENSER	77R7100 - Radiator Mount R-9725-1P - Remote Mount R-9725-1-24P - Remote Mount	See 77 Series Condensers section 12 VDC - See Units Condensers section 24 VDC - See Units Condensers section
GENERAL PURPOSE INSTALLATION KIT	78R1705 78R1070 78R1077 78R1027	Remote Mount ATCO version Rooftop condenser ATCO version Rooftop condenser EZ Clip version Front mount condenser EZ Clip version
COMPRESSOR	See 75 Series Compressor section	
R134A CHARGE FITTING	75R5681 and 75R5688	Required with CCI and Tecumseh applications.
CLUTCH TECUMSEH/CCI	See 75 Series Clutch section	
COMPRESSOR MOUNT KIT	See Compressor Mount Applications section	

OPTIONS:



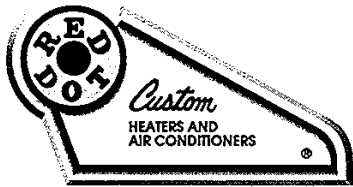
Louvered Plenum Assembly
RD-3-10111-0P



Ductable Plenum Assembly
RD-3-10112-0P

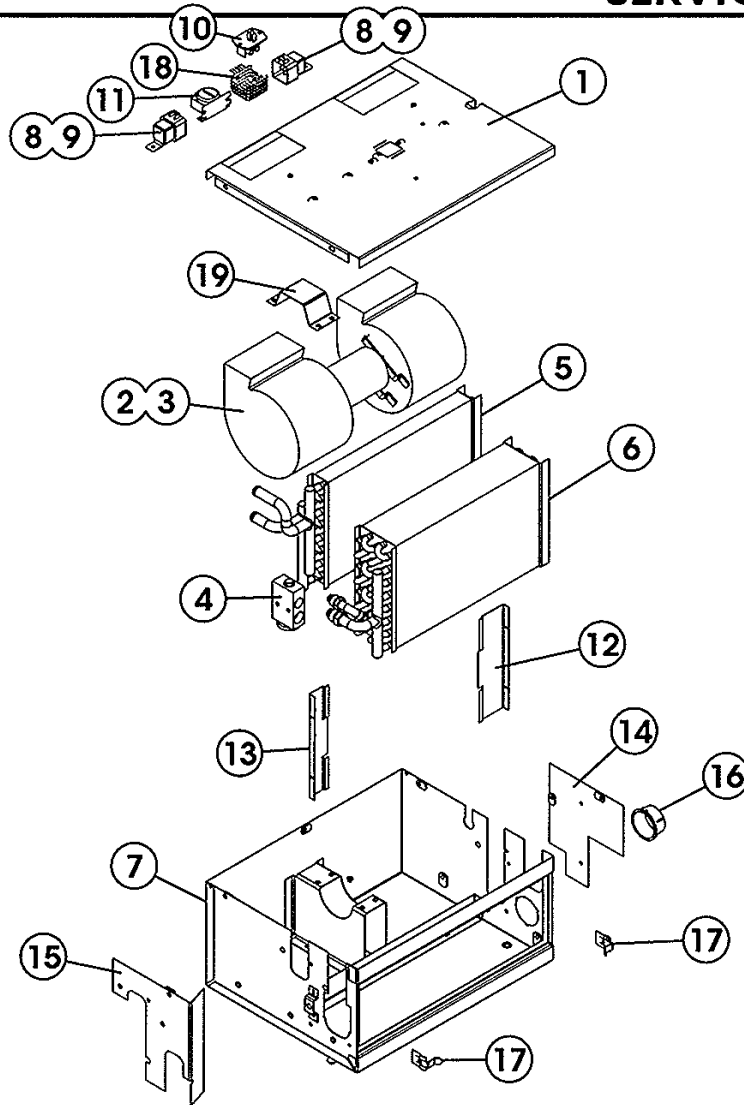
Control Panels (See also 71 Series, Control Panels)

R-9520-0P	71R5600	Three-speed motor switch - includes manual water valve control
	71R5605	Three-speed motor switch - includes electronic water valve control
	71R5122	Three-speed motor switch - includes A/C switch and electronic water valve
	71R5812	Automatic Temperature Control - 12 volt
R-9520-0-24P	71R5600	Three-speed motor switch - includes manual water valve control
	71R5605	Three-speed motor switch - includes electronic water valve control
	71R5122	Three-speed motor switch - includes A/C switch and electronic water valve
	71R5814	Automatic Temperature Control - 24 volt



Heater-Air Conditioner Model R-9520

SERVICE PARTS LIST



ITEM	NOTE	PART NO.	DESCRIPTION	CAT. NO.
1		RD-3-8928-0	Cover Assembly - Housing	
2		RD-3-7383-0	Motor Blower Assembly - 12v	
3		RD-3-7383-1	Motor Blower Assembly - 24v	
4		RD-5-7015-0	Expansion Valve	71R8320
5		RD-1-2006-0	Heater Core Assembly	
6		RD-2-3070-0	Evaporator Core Assembly	
7		RD-3-8942-0	Housing Assembly	
8		RD-5-6690-0	Relay - 12v, Metri-Pac	71R1902
9		RD-5-6693-0	Relay - 24v, Metri-Pac	71R1904
10		RD-5-3647-0	Resistor - Speed Control	71R1450

ITEM	NOTE	PART NO.	DESCRIPTION	CAT. NO.
11		RD-5-4531-24	Thermostat	71R3200
12		RD-3-7696-0	Retainer - Core & Evaporator	
13		RD-3-9884-0	Retainer - Core & Evaporator	
14		RD-3-7697-0	Cover Assembly - Reversed Plumbing	
15		RD-3-8934-0	Cover - Plumbing	
16		RD-5-4487-0	Adapter - Hose, 2" Diameter	
17		RD-5-6239-0	Snap Fastener	
18		RD-3-8113-0	Guard - Resistor	
19		RD-3-3174-0	Retainer - Motor	
20	A	RD-5-8076-0	Air Filter	

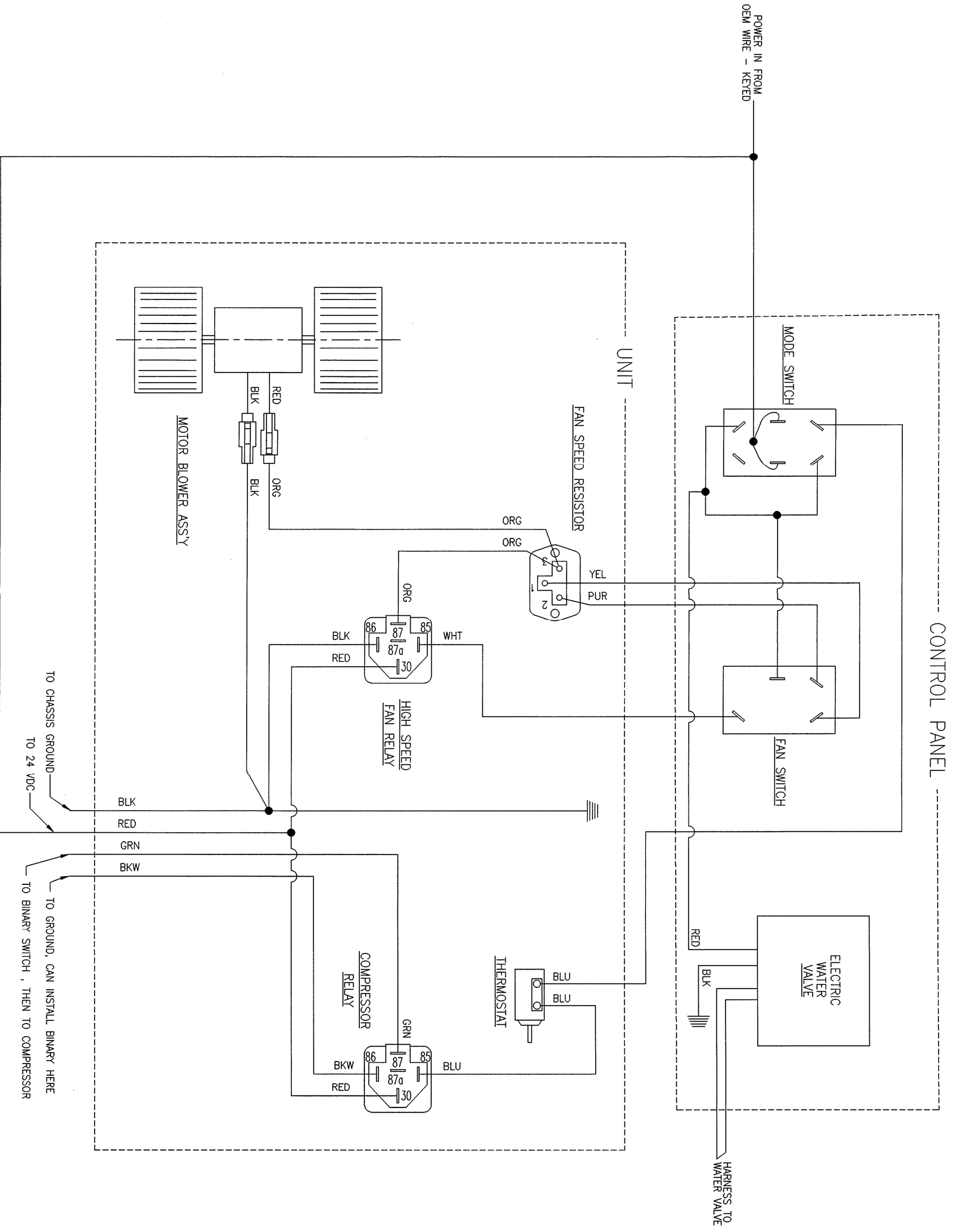
NOTES: A= Not shown

RED DOT CORPORATION

P.O.Box 88790 Seattle, WA 98138 (206) 575-3840 fax (206) 574-6659

RD-3-11163-0 (REV -)

FOR REFERENCE ONLY. SUBJECT TO CHANGE WITHOUT NOTICE

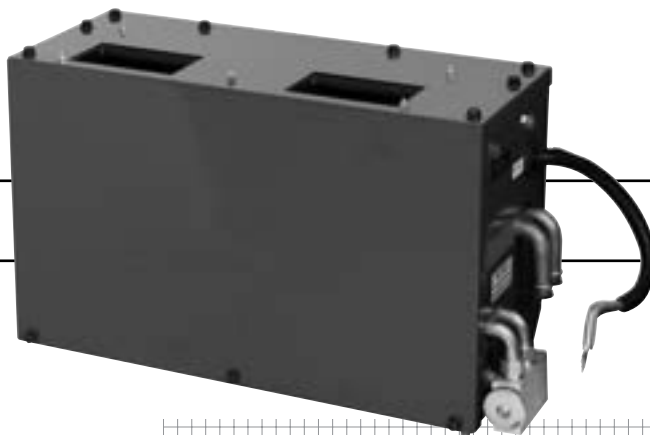


ON-ROAD

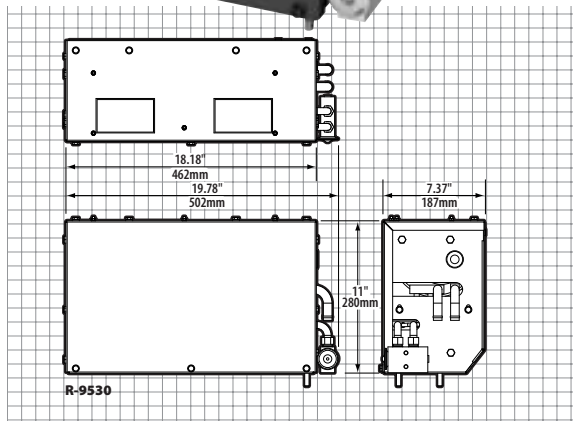
**R-9530 Floor
Heater/Air Conditioner Unit**

OFF-ROAD • CONSTRUCTION • INDUSTRIAL

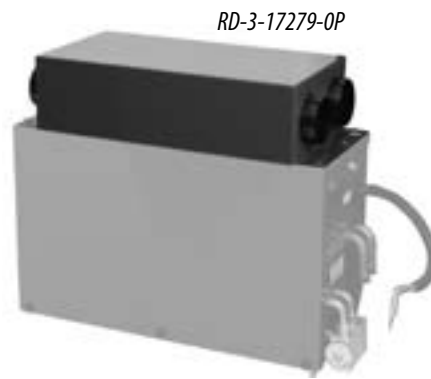
The R-9530 wall-mounted unit is a compact, modular blower/heat exchanger package that can accommodate a range of inlet and outlet plenums. Available as a heater-A/C combination or A/C-only.



R-9730 SPECIFICATIONS	
BTUs	Cooling - 24,500 BTU/Hr Heating - 33,000 BTU/Hr
AIR FLOW	405 CFM (688 m ³ /h)
WEIGHT	R-9530-0 20 lbs. (9 kg) R-9530-1 25 lbs. (11 kg)
CURRENT DRAW	19.9 amps at 13.5 VDC 10.9 amps at 27 VDC



OPTIONS:



R-9530 SYSTEM ORDERING GUIDE		
	R-134a	NOTES
UNITS	R-9530-0P R-9530-0-24P R-9530-1P R-9530-1-24P	12 VDC - Air Conditioner Only 24 VDC - Air Conditioner Only 12 VDC - Heater / Air Conditioner 24 VDC - Heater / Air Conditioner
CONDENSER	77R7100 - Radiator Mount R-9725-1P - Remote Mount R-9725-1-24P - Remote Mount	See 77 Series Condensers section 12 VDC - See Units Condensers section 24 VDC - See Units Condensers section
GENERAL PURPOSE INSTALLATION KIT	78R1705 78R1070 78R1077 78R1027	Remote Mount ATCO version Rooftop condenser ATCO version Rooftop condenser EZ Clip version Front mount condenser EZ Clip version
COMPRESSOR	See 75 Series Compressor section	
R134A CHARGE FITTING	75R5681 and 75R5688	Required with CCI and Tecumseh applications.
CLUTCH TECUMSEH/CCI	See 75 Series Clutch section	
COMPRESSOR MOUNT KIT	See Compressor Mount Applications section	